

# Installation manual

## Tumble dryer

T4900CR, T41200CR  
Type N4...



**Electrolux**  
PROFESSIONAL



# Contents

---

## Contents

1	Safety Precautions .....	5
1.1	General safety information.....	6
1.2	Commercial use only.....	6
1.3	Symbols.....	7
2	Warranty terms and exclusions.....	8
3	Technical data.....	9
3.1	Drawing .....	9
3.2	Technical data .....	10
3.2.1	T4900CR.....	10
3.2.2	T41200CR.....	12
4	Setup.....	14
4.1	Unpacking.....	15
4.1.1	Recycling instruction for packaging.....	15
4.1.2	Lowering the machine from the transport pallet.....	16
4.2	Siting .....	17
4.3	Mechanical installation .....	18
4.4	Filter unit.....	19
4.5	Heating unit.....	21
4.5.1	Steam .....	21
4.5.2	Electric .....	23
4.6	Transport safety.....	25
4.7	Internal connections.....	25
4.7.1	Steam-heated machine.....	26
4.7.2	Electric heated machine.....	27
4.8	External connections.....	30
4.8.1	Steam installation (only steam heated machines).....	30
4.8.2	Pipe insulation.....	30
4.8.3	Compressed air connection.....	31
4.8.4	Evacuation.....	32
5	Electrical installation .....	33
5.1	Electrical connections .....	34
5.1.1	T4900CR.....	34
5.1.2	T41200CR.....	34
5.2	Steam heated machine .....	35
5.2.1	Connection to mains voltage .....	35
5.2.2	Circuit diagram.....	36
5.3	Electric heated machine .....	37
5.3.1	Connection to mains voltage .....	37
5.3.2	Circuit diagram.....	38
6	Evacuation system .....	39
6.1	Fresh air.....	39
6.2	Exhaust duct .....	40
6.3	Shared exhaust duct .....	40
6.4	Exhaust dimensioning .....	41
7	Function check.....	42
8	Disposal information .....	43
8.1	Appliance recyclability and disposal .....	43
8.1.1	Recyclability.....	43
8.1.2	Procedure regarding appliance disposal and component / material recovery.....	43
8.2	Disposal of packing.....	43

The manufacturer reserves the right to make changes to design and component specifications.



## 1 Safety Precautions

- Servicing shall be carried out only by authorized personnel.
- Only authorized spare parts, accessories and consumables shall be used.
- The machine is not to be used if industrial chemicals have been used for cleaning.
- Do not dry unwashed items in the machine.
- **WARNING:** Items that have been soiled with substances such as hair care products, cooking oil, acetone, alcohol, petrol, kerosene, spot removers, turpentine, waxes and wax removers shall be cleaned sufficiently to remove the contaminant before being tumble dried. When washing such soiled items ensure the use of detergent as specified by the detergent manufacturer and select the highest suitable temperature. If in doubt, wash the items several times.
- Items such as foam rubber (latex foam), shower caps, waterproof textiles, rubber backed articles and clothes or pillows fitted with foam rubber pads should not be dried in the machine.
- Fabric softeners or similar products should be used as specified by the fabric softener instructions.
- The final part of a drying cycle occurs without heat (cool down cycle) to ensure that the items are left at a temperature that ensures that the items will not be damaged.
- Remove all objects from pockets such as lighters and matches.
- **WARNING.** Never stop the machine before the end of the drying cycle unless all items are quickly removed and spread out so that the heat is dissipated.
- Adequate ventilation has to be provided to avoid the back flow of gases into the room for appliances burning other fuels, including open fires.
- Exhaust air must not be discharged into a flue which is used for exhausting fumes from appliances burning gas or other fuels.
- The machine must not be installed behind a lockable door, a sliding door or a door with a hinge on the opposite side to that of the machine in such a way that a full opening of the machine is restricted.
- If the machine has a lint trap this has to be cleaned frequently.
- The lint must not be accumulated around the machine.
- **DO NOT MODIFY THIS APPLIANCE.**
- When performing service or replacing parts, the power must be disconnected.
- When the power is disconnected, the operator must see that the machine is disconnected (that the plug is removed and remains removed) from any point to which he has access. If this is not possible, due to the construction or installation of the machine, a disconnection with a locking system in the isolated position shall be provided.
- In accordance with the wiring rules: mount a multi-pole switch prior to the machine to facilitate installation and service operations.
- **WARNING:** The appliance must not be supplied through an external switching device, such as a timer, or connected to a circuit that is regularly switched on and off by a utility.
- If different rated voltages or different rated frequencies (separated by a /) are stated at the machine data plate, instructions for adjusting the appliance for operation at the required rated voltage or rated frequency are stated in the installation manual.
- Stationary appliances not fitted with means for disconnection from the supply mains having a contact separation in all poles that provide full disconnection under

overvoltage category III, means for disconnection must be incorporated in the fixed wiring in accordance with the wiring rules.

- The openings in the base, shall not be obstructed by a carpet.
- Oil-affected items can ignite spontaneously, especially when exposed to heat sources such as in a tumble dryer. The items become warm, causing an oxidation reaction in the oil. Oxidation creates heat. If the heat cannot escape, the items can become hot enough to catch fire. Piling, stacking or storing oil-affected items can prevent heat from escaping and so create a fire hazard.
- Maximum mass of dry cloth: T4900CR: 50 kg, T41200CR: 67 kg.
- A-weighted emission sound pressure level at working stations: < 70 dB(A).
- Additional requirements for the following countries; AT, BE, BG, HR, CY, CZ, DK, EE, FI, FR, DE, GR, HU, IS, IE, IT, LV, LT, LU, MT, NL, NO, PL, PT, RO, SK, SI, ES, SE, CH, TR, UK:
  - CAUTION: This appliance shall not be installed where the public has access.
- Additional requirements for other countries:
  - This appliance is not intended for use by persons (including children) with reduced physical, sensory or mental capabilities, or lack of experience and knowledge, unless they have been given supervision or instruction concerning use of the appliance by a person responsible for their safety. Children should be supervised to ensure that they do not play with the appliance.







### **1.1 General safety information**

In order to prevent damage to the electronics (and other parts) that may occur as the result of condensation, the machine should be placed in room temperature for 24 hours before being used for the first time.

### **1.2 Commercial use only**

The machine/machines covered by this manual is/are made for commercial and industrial use only.

### 1.3 Symbols

	Caution
	Caution, hot surface
	Caution, high voltage
	Warning, risk of fire / flammable material
	Danger, crush hazard
	Read the instructions before using the machine

## 2 Warranty terms and exclusions

If the purchase of this product includes warranty coverage, warranty is provided in line with local regulations and subject to the product being installed and used for the purposes as designed, and as described within the appropriate equipment documentation.

Warranty will be applicable where the customer has used only genuine spare parts and has performed maintenance in accordance with Electrolux Professional AB user and maintenance documentation made available in paper or electronic format.

Electrolux Professional AB strongly recommends using Electrolux Professional AB approved cleaning, rinse and descaling agents to obtain optimal results and maintain product efficiency over time.

The Electrolux Professional AB warranty does not cover:

- service trips cost to deliver and pick up the product;
- installation;
- training on how to use/operate;
- replacement (and/or supply) of wear and tear parts unless resulting from defects in materials or workmanship reported within one (1) week from the failure;
- correction of external wiring;
- correction of unauthorized repairs as well as any damages, failures and inefficiencies caused by and/or resulting from:
  - insufficient and/or abnormal capacity of the electrical systems (current/voltage/frequency, including spikes and/or outages);
  - inadequate or interrupted water supply, steam, air, gas (including impurities and/or other that does not comply with the technical requirements for each appliance);
  - plumbing parts, components or consumable cleaning products that are not approved by the manufacturer;
  - customer's negligence, misuse, abuse and/or non-compliance with the use and care instructions detailed within the appropriate equipment documentation;
  - improper or poor: installation, repair, maintenance (including tampering, modifications and repairs carried out by third parties not authorized third parties) and modification of safety systems;
  - Use of non-original components (e.g.: consumables, wear and tear, or spare parts);
  - environment conditions provoking thermal (e.g. overheating/freezing) or chemical (e.g. corrosion/oxidation) stress;
  - foreign objects placed in- or connected to- the product;
  - accidents or force majeure;
  - transportation and handling, including scratches, dents, chips, and/or other damage to the finish of the product, unless such damage results from defects in materials or workmanship and is reported within one (1) week of delivery unless otherwise agreed;
- product with original serial numbers that have been removed, altered or cannot be readily determined;
- replacement of light bulbs, filters or any consumable parts;
- any accessories and software not approved or specified by Electrolux Professional AB.

Warranty does not include scheduled maintenance activities (including the parts required for it) or the supply of cleaning agents unless specifically covered within any local agreement, subject to local terms and conditions.

Check on Electrolux Professional AB website the list of authorized customer care.

### 3 Technical data

#### 3.1 Drawing

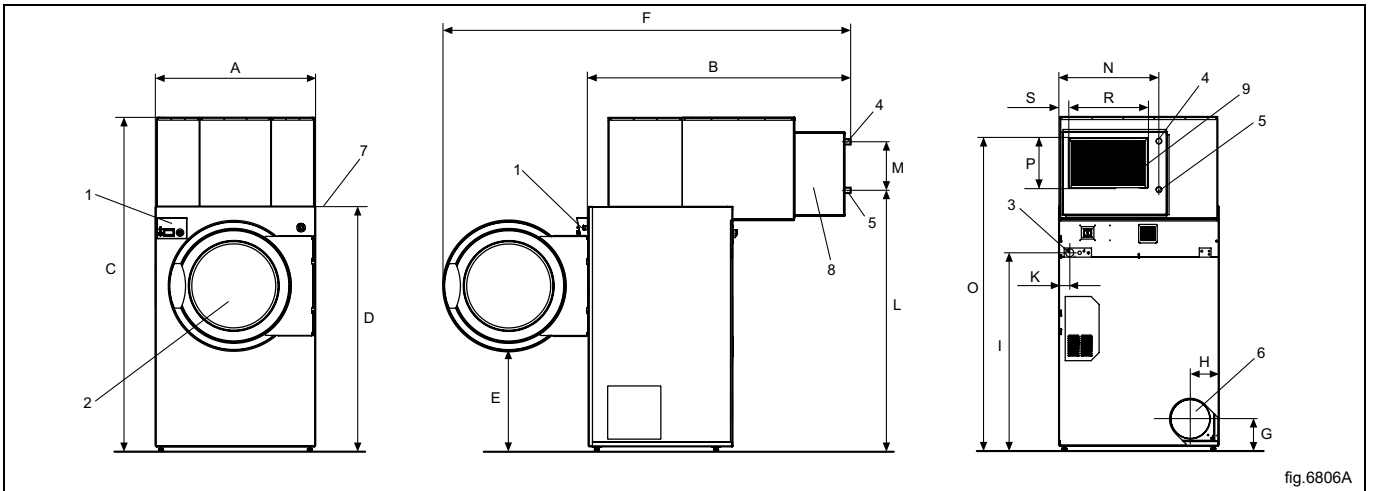


fig.6806A

1	Control panel
2	Door opening, $\varnothing$ 940 mm
3	Electrical connection
4	Steam connection
5	Condensate connection
6	Exhaust connection
7	Delivery height
8	Heating unit
9	Air intake

mm	A	B	C	D	E	F	G	H
<b>T4900CR</b>	1290	2115	2690	1940	805	3290	220	230
<b>T41200CR</b>	1290	2305	2690	1940	805	3480	220	230

mm	I	K	L	M	N	O	P
<b>T4900CR</b>	1560	85	2070	390	800	2530	369
<b>T41200CR</b>	1560	85	2070	390	800	2530	369

mm	R	S
<b>T4900CR</b>	620	40
<b>T41200CR</b>	620	40

## 3.2 Technical data

### 3.2.1 T4900CR

#### 3.2.1.1 Steam heated machines

Drum volume	litres	900
Weight net, Machine frame	kg	447
Weight net, Heating unit	kg	67
Weight net, Filter unit	kg	172
Drum diameter	mm	1240
Drum depth	mm	770
Drum speed, medium load	rpm	38
Rated capacity, filling factor 1:20 (Max. load)	kg	45
Rated capacity, filling factor 1:30 (Recommended load)	kg	30
Heating: Steam at 700 kPa	kW	72
Air consumption, max.	m <sup>3</sup> /h	2300
Evacuation	∅	315
Steam pressure	kPa	400-1000
Piping, Steam feed	DN	32
Piping, Steam return	DN	32
Pressure drop, max.	Pa	400
Compressed air, Connection	∅	8
Compressed air, Pressure	kPa	400-1000
Sound power/pressure level at drying*	dB(A)	< 70

**3.2.1.2 Electric heated machines**

Drum volume	litres	900
Weight net, Machine frame	kg	447
Weight net, Heating unit	kg	62
Weight net, Filter unit	kg	172
Drum diameter	mm	1240
Drum depth	mm	770
Drum speed, medium load	rpm	38
Rated capacity, filling factor 1:20 (Max. load)	kg	45
Rated capacity, filling factor 1:30 (Recommended load)	kg	30
Heating: Electric	kW	60
Air consumption, max.	m <sup>3</sup> /h	2300
Evacuation	ø	315
Pressure drop, max.	Pa	400
Sound power/pressure level at drying*	dB(A)	< 70

### 3.2.2 T41200CR

#### 3.2.2.1 Steam heated machines

Drum volume	litres	1200
Weight net, Machine frame	kg	497
Weight net, Heating unit	kg	67
Weight net, Filter unit	kg	172
Drum diameter	mm	1240
Drum depth	mm	1000
Drum speed, medium load	rpm	38
Rated capacity, filling factor 1:20 (Max. load)	kg	60
Rated capacity, filling factor 1:30 (Recommended load)	kg	40
Heating: Steam at 700 kPa	kW	82
Air consumption, max.	m <sup>3</sup> /h	2500
Evacuation	∅	315
Steam pressure	kPa	400-1000
Piping, Steam feed	DN	32
Piping, Steam return	DN	32
Pressure drop, max.	Pa	100
Compressed air, Connection	∅	8
Compressed air, Pressure	kPa	400-1000
Sound power/pressure level at drying*	dB(A)	< 70

**3.2.2.2 Electric heated machines**

Drum volume	litres	1200
Weight net, Machine frame	kg	497
Weight net, Heating unit	kg	62
Weight net, Filter unit	kg	172
Drum diameter	mm	1240
Drum depth	mm	1000
Drum speed, medium load	rpm	38
Rated capacity, filling factor 1:20 (Max. load)	kg	60
Rated capacity, filling factor 1:30 (Recommended load)	kg	40
Heating: Electric	kW	72
Air consumption, max.	m <sup>3</sup> /h	2500
Evacuation	ø	315
Pressure drop, max.	Pa	100
Sound power/pressure level at drying*	dB(A)	< 70

## 4 Setup

Three packages are delivered containing the following units: Machine frame, filter unit and heating unit. Extra kit package for filter unit supplied in heating unit packing.

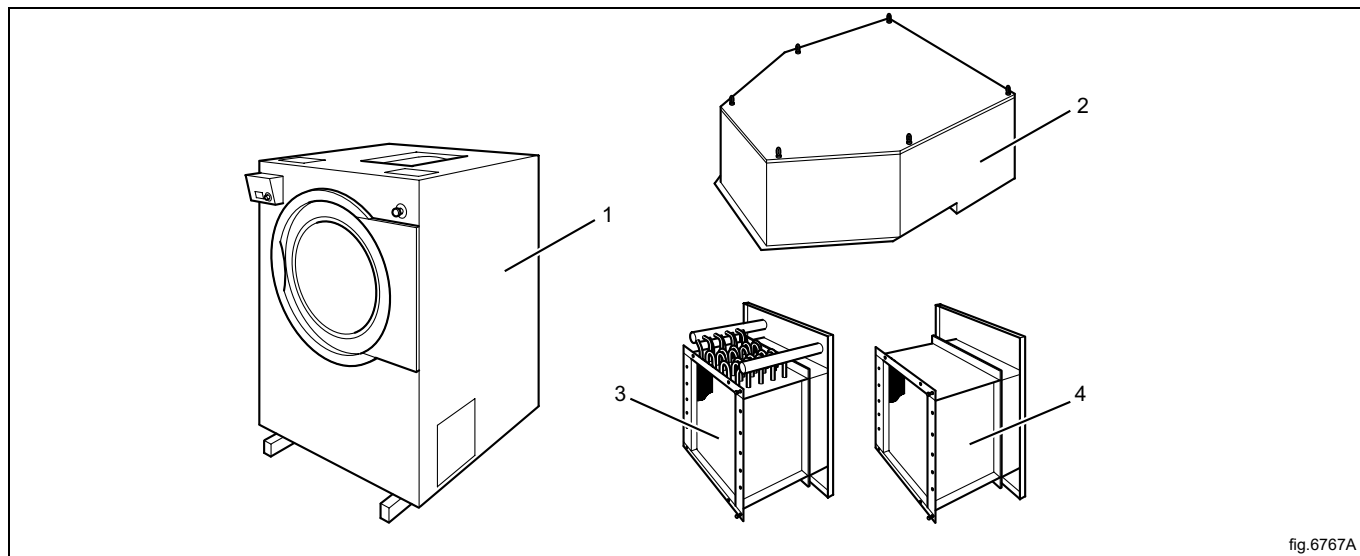


fig.6767A

1	Machine frame
2	Filter unit
3	Heating unit, steam
4	Heating unit, electric

## 4.1 Unpacking

Remove each unit from the packaging. Remember to handle the units with care to avoid mechanical damage.

### 4.1.1 Recycling instruction for packaging

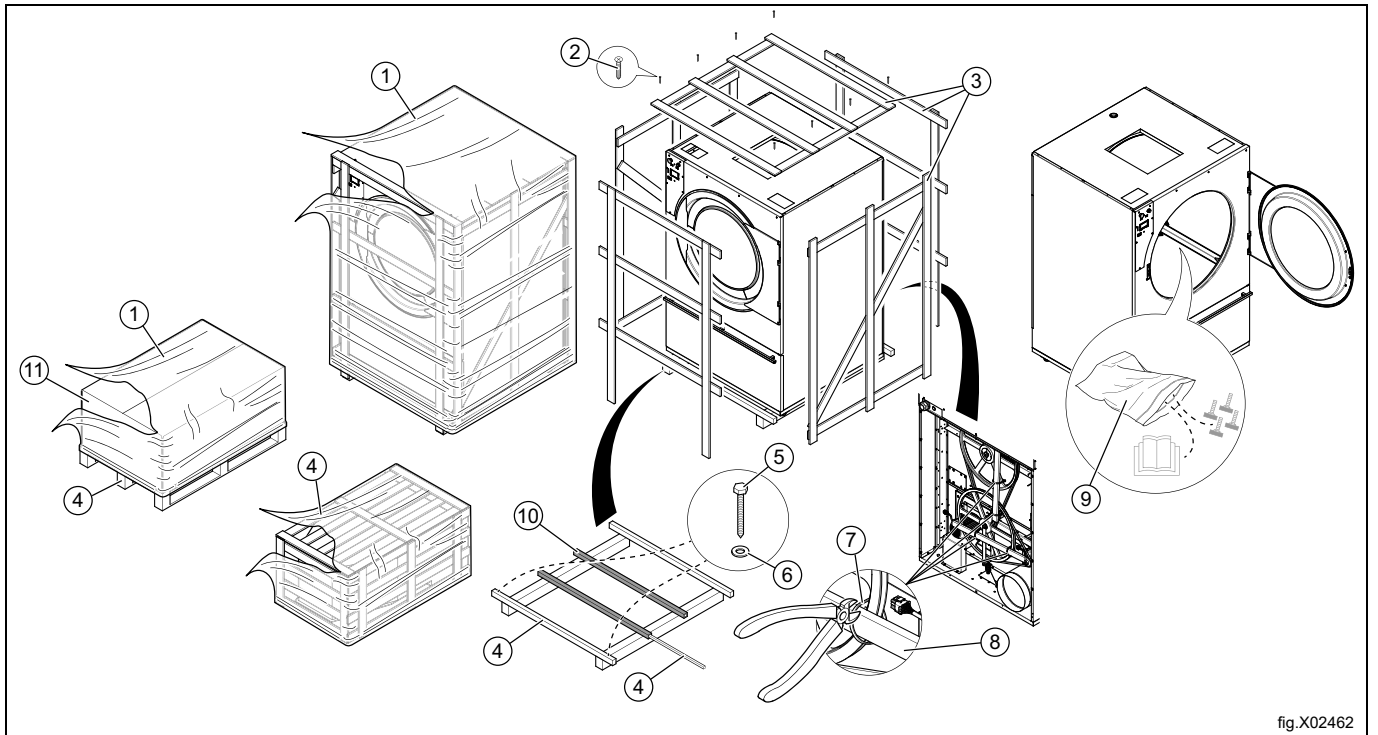


fig.X02462

Fig.	Description	Code	Type
1	Wrapping film	LDPE 4	Plastics
2	Screw	FE 40	Steel
3	Packaging	FOR 50	Wood
4	Pallet	FOR 50	Wood
5	Screw	FE 40	Steel
6	Washer	FE 40	Steel
7	Cable Tie		Nylon
8	Transport security	FOR 50	Wood
9	Plastic bag	PET 1	Plastics
10	Steel sections	FE 40	Steel
11	Cardboard packaging	PAP 20	Paper

### 4.1.2 Lowering the machine from the transport pallet

- Remove the machine's three rear panels.
- Remove the four screws holding the machine to the transport pallet:
  - 2 screws (A) in the machine's trailing edge (inside the machine).

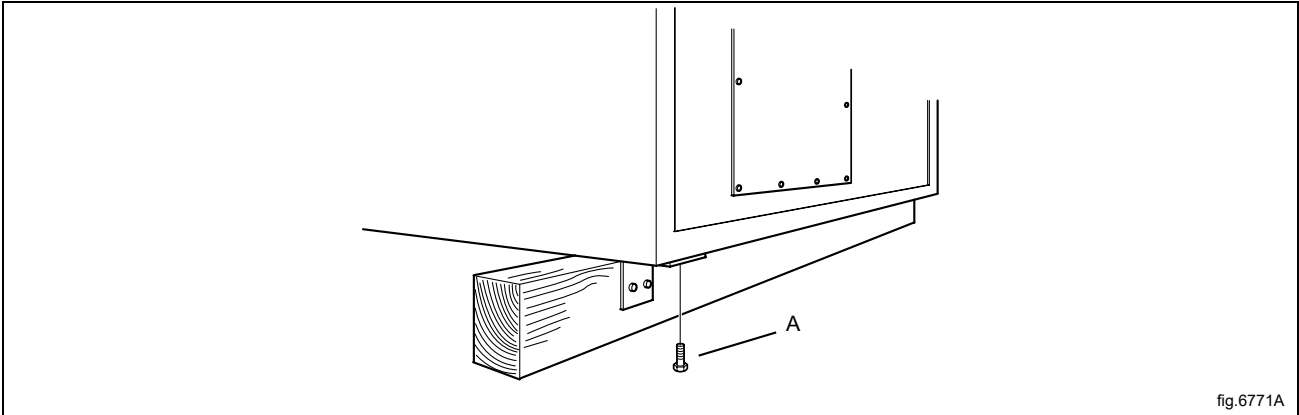


fig.6771A

- 2 screws (A) in the machine's leading edge (under the machine).

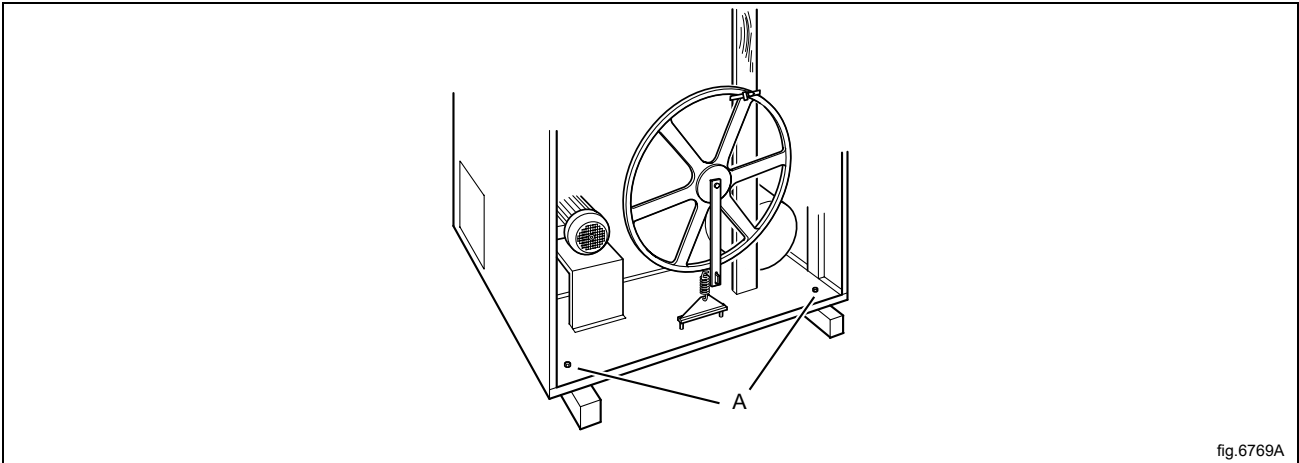


fig.6769A

- Lower the machine using a pallet lifter or fork lift truck and remove the transport pallet.

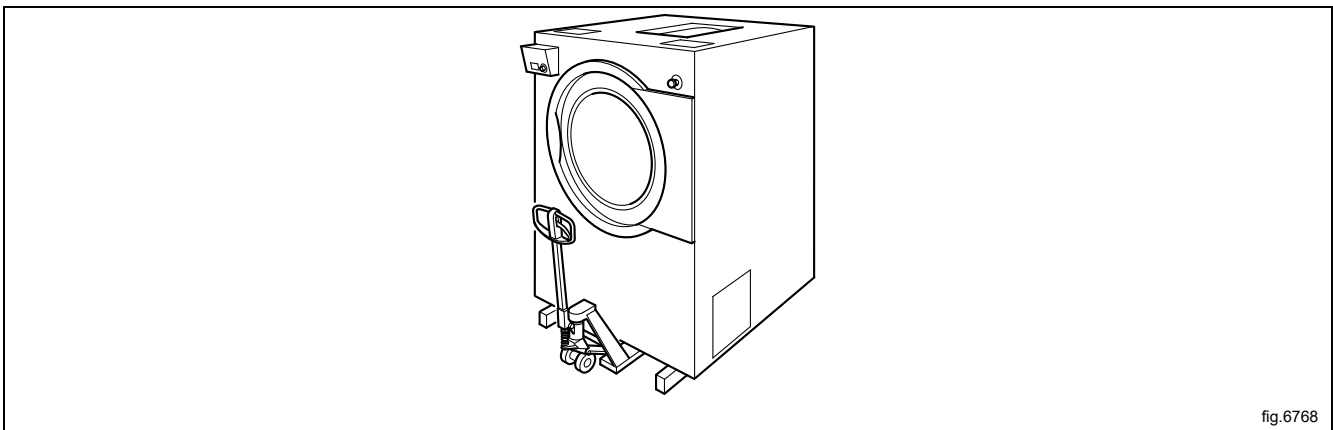


fig.6768

- Install the four feet on the machine's bottom rails.

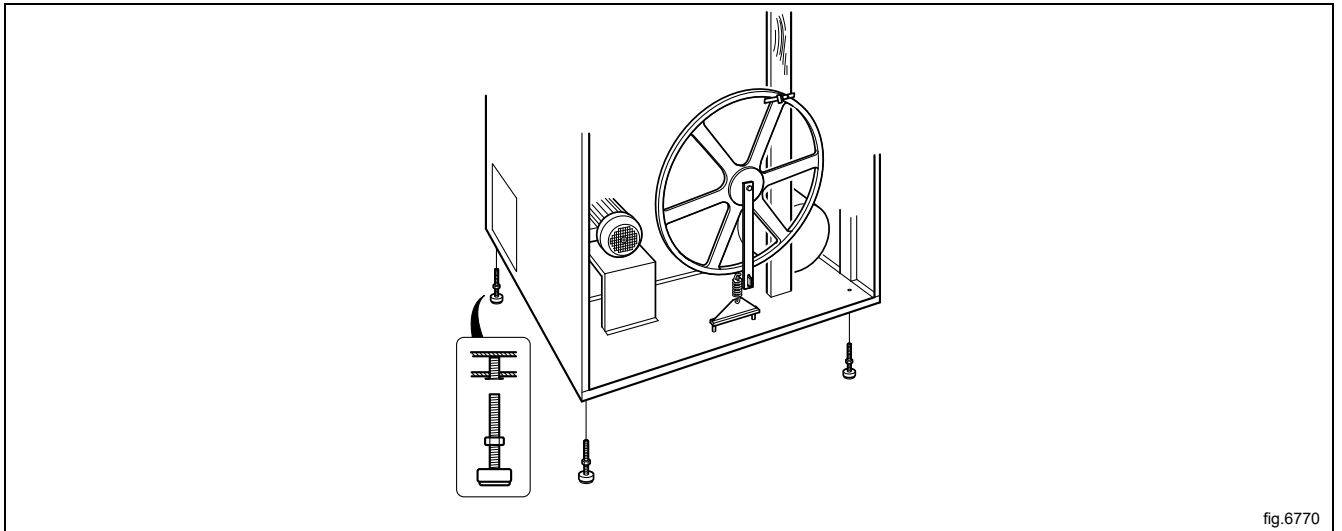


fig.6770

**Note!**

The two front lower feet of the machine may have to be cut so as to avoid striking against the machine's baseplate.

**4.2 Siting**

Place the machine on its final position.

The figure shows minimum distance to a wall and / or other machines.

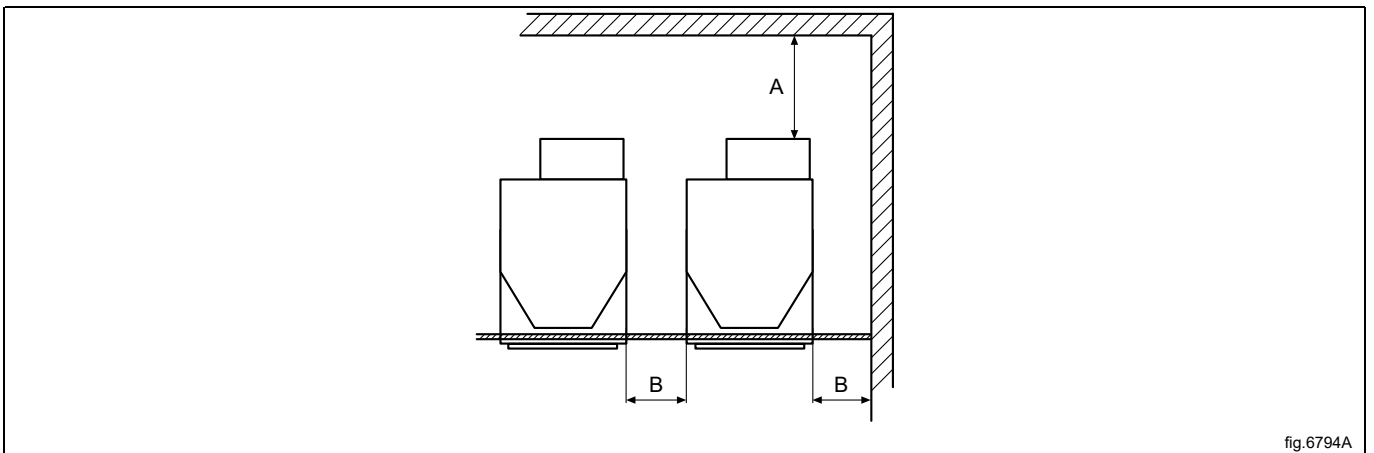


fig.6794A

A	Min. 1000 mm
B	Min. 600 mm

**Note!**

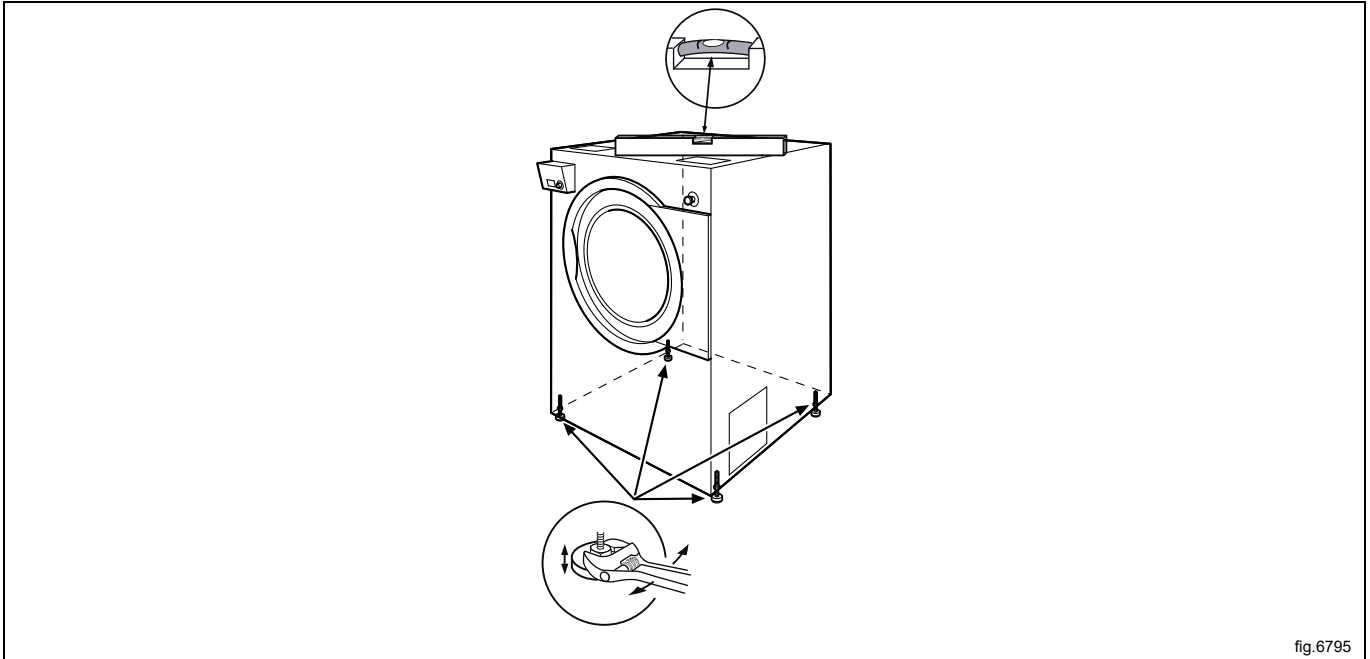
The machine should be positioned so that there will be enough space for working, both for the user and service personnel.

Respecting the given recommendations will provide easy access for maintenance and service operations.

In case of space limitations, it is possible to install machines without respecting to the given recommendations. If so, keep in mind that it might be necessary to disconnect and move other machines to be able to reach and perform service on affected machine.

### 4.3 Mechanical installation

Adjust the machine frame so that it stands level and steady on all four feet. Height adjustment shall be as low as possible. The maximum height adjustment for the feet is 50 mm. This is only to be used with caution when the pallet lifter or the fork-lift truck is removed.



#### 4.4 Filter unit

The filter unit is installed on the top of the machine frame.

- Raise the filter unit over the top of the machine frame and lower the unit. Ensure that the gasket on the underside of the filter unit has not been damaged.

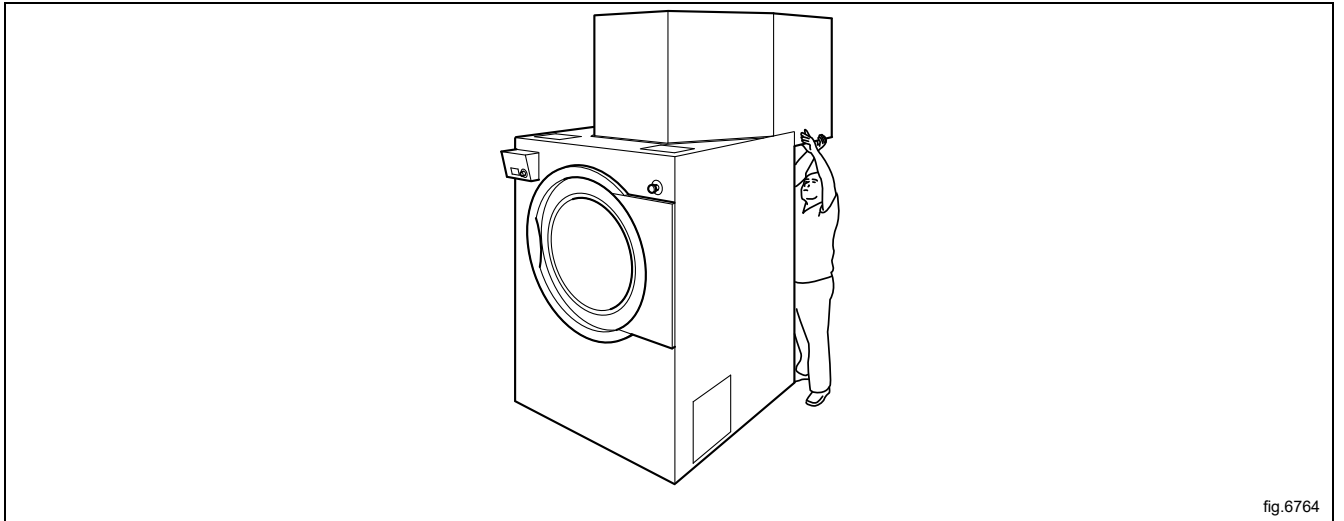


fig.6764

- Align the filter unit with the aid of a screwdriver and install a screw in each corner.
- When the filter unit has been aligned, lower it and secure it by tightening all 12 screws.

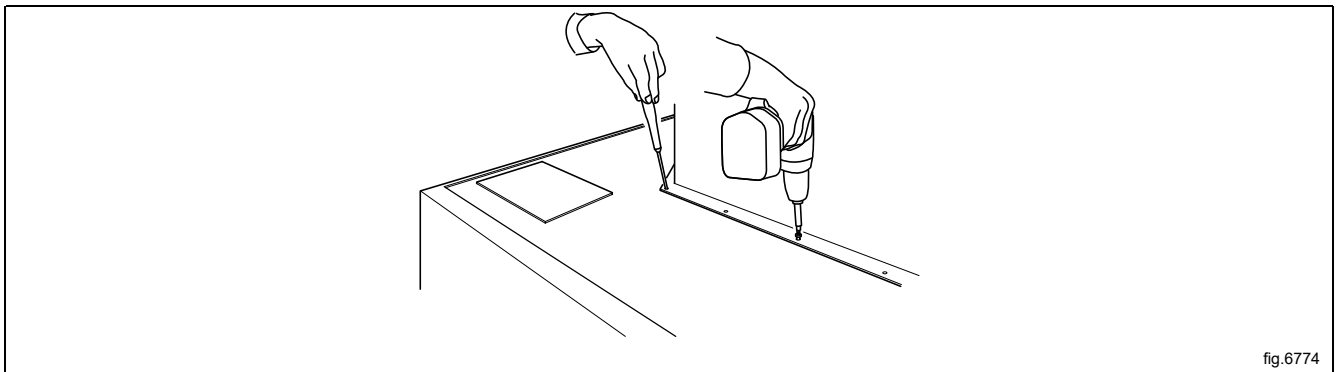


fig.6774

- Remove the spring loaded filter holder.

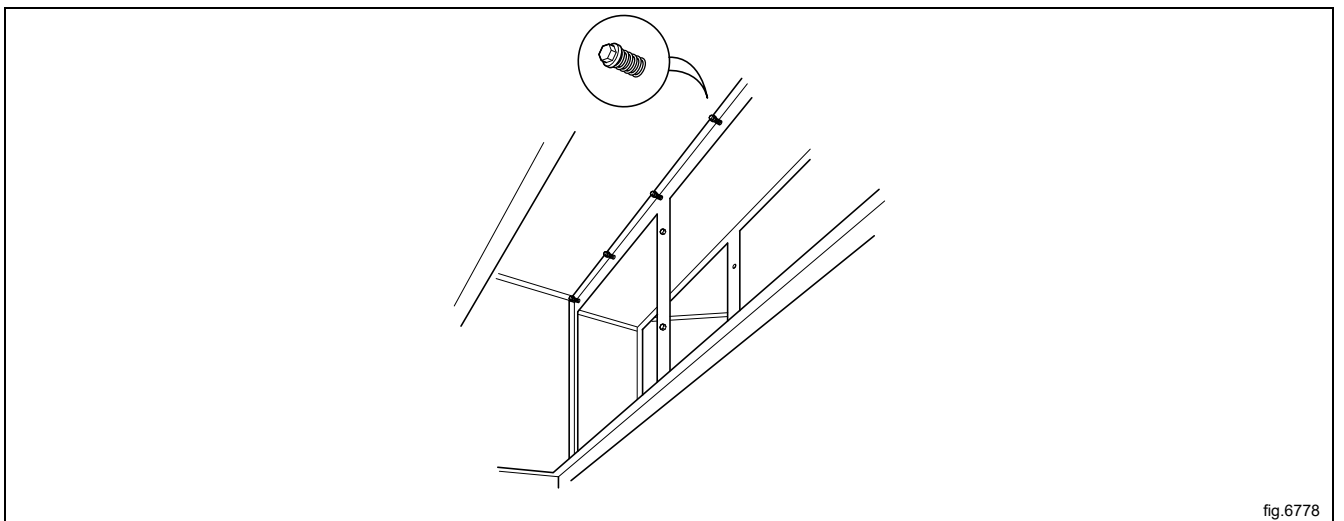
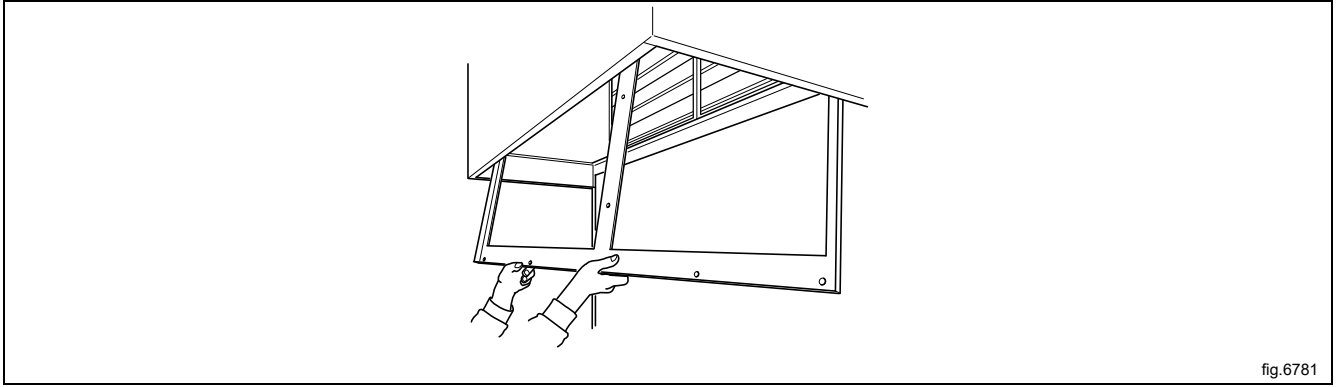


fig.6778

**Note!**

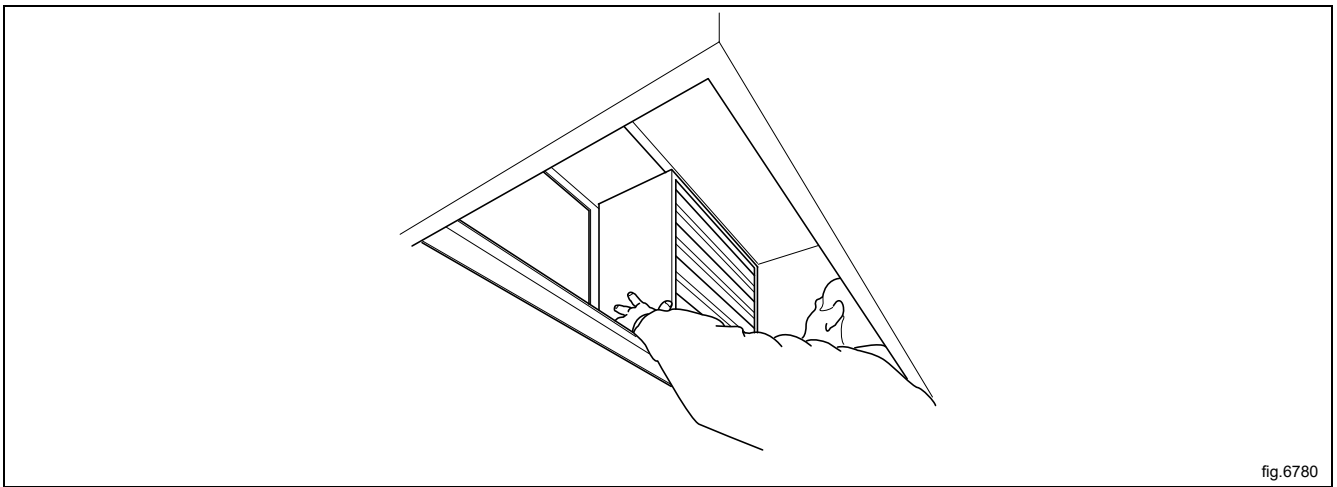
This has to be angled outwards in the correct direction in order to be removed from the filter housing.

- Install the filter cassettes (2 cassettes 292 x 610 x 610).

**Note!**

The filters must be approved for operation at temperatures of at least 200 °C.

- Remove the spring loaded filter holder.



## 4.5 Heating unit

### 4.5.1 Steam

The steam unit is to be mounted on the filter unit as described below.

- Insert two screws in the steam unit's two upper fixing holes.

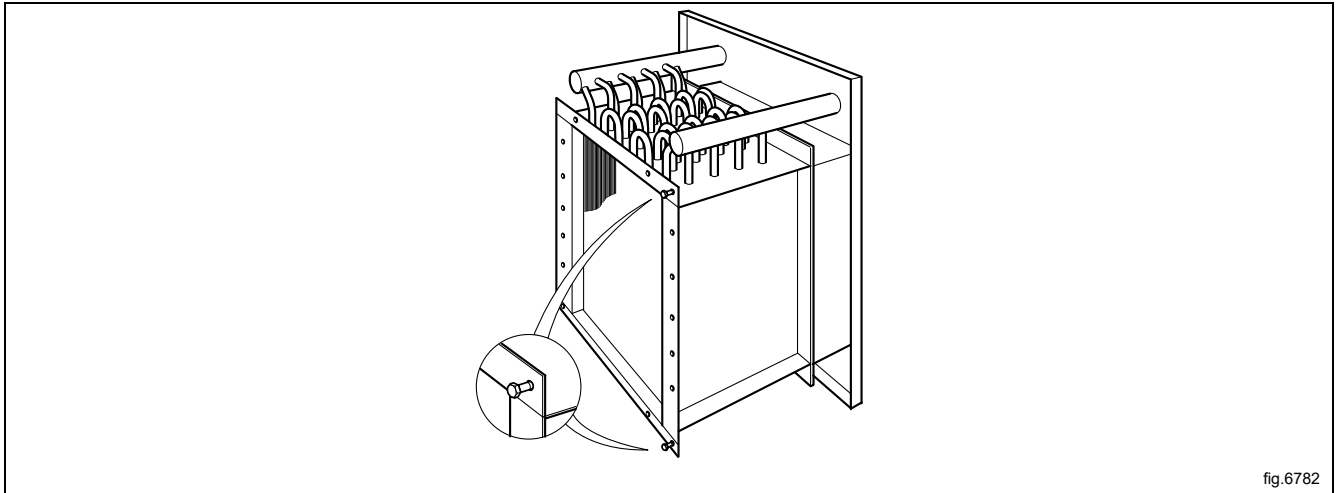


fig.6782

- Lift the unit into position and hang it using the keyhole like holes in the filter unit.

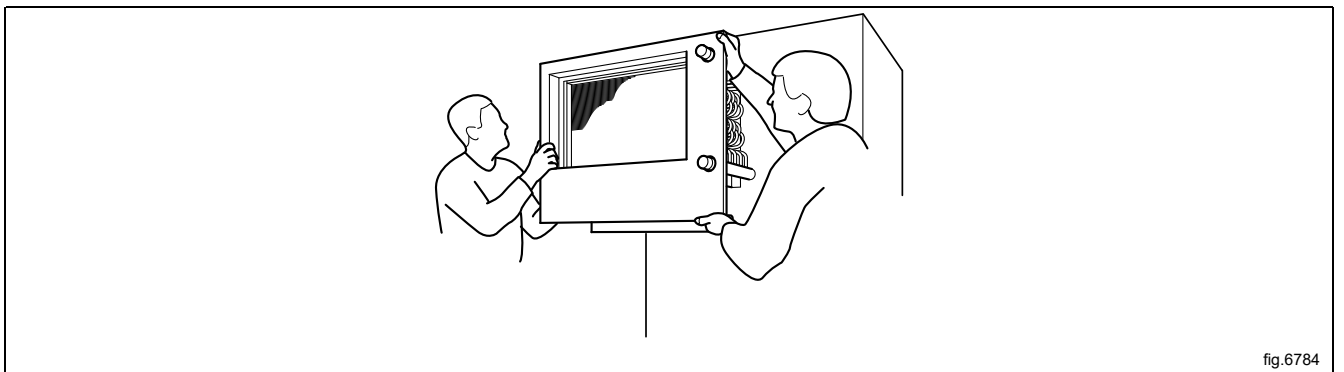


fig.6784

- Screw the steam unit tight against the filter unit from the inner side of the filter housing.

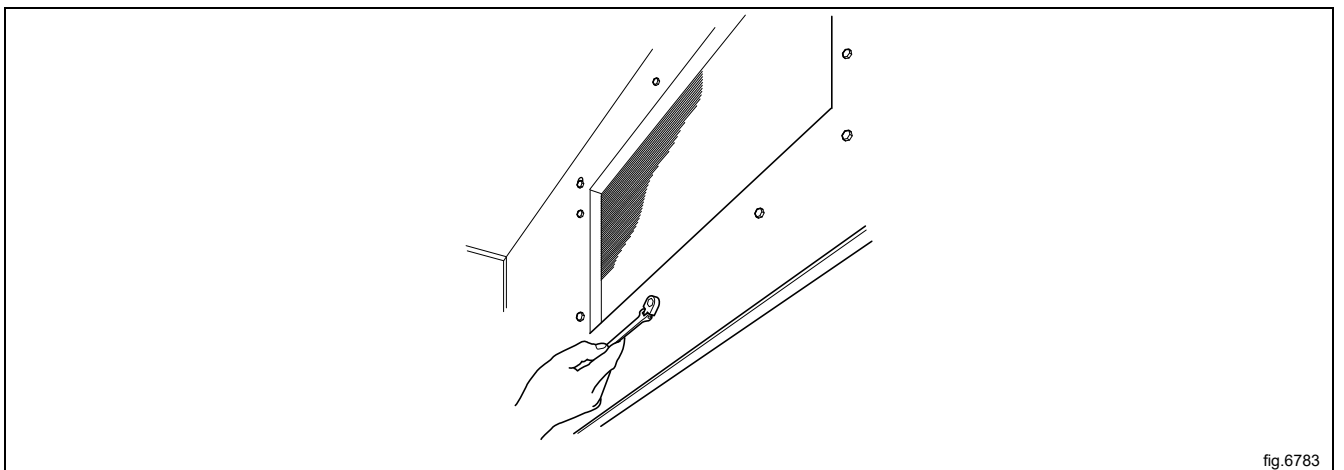


fig.6783

- Install the steam unit's two protective plates.

#### **Note!**

The filter unit's outer rear plate must be loosened on the left-hand side. First install protective plate A and thereafter plate B.

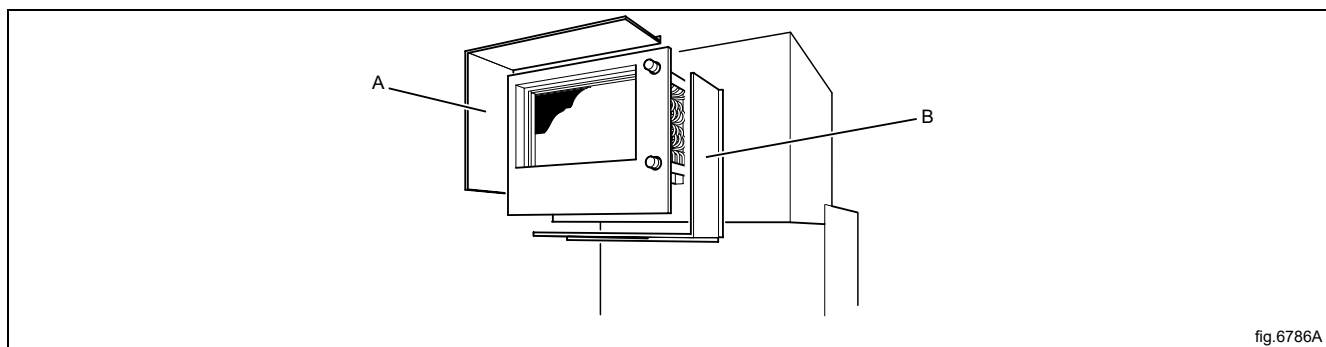


fig.6786A

- Install the electrical cable plate.

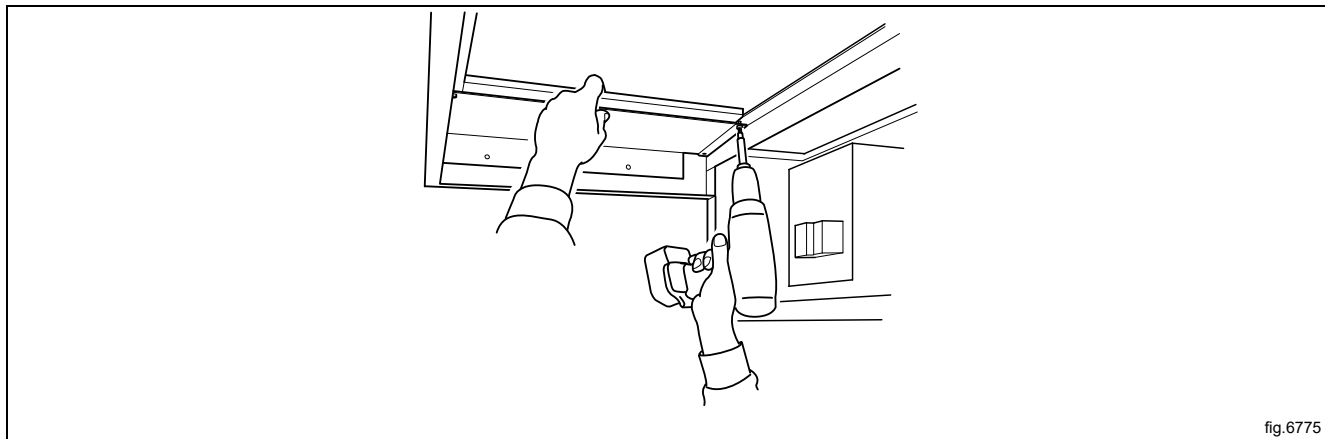


fig.6775

- Install the cover plate for the filter housing.

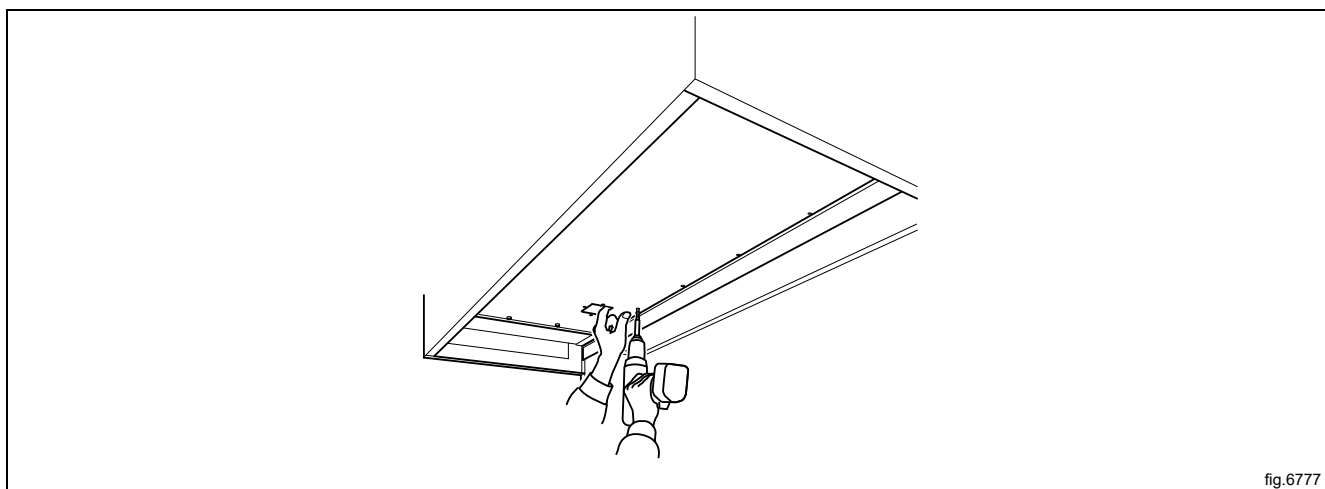


fig.6777

- Install the temperature sensor for the filter housing.

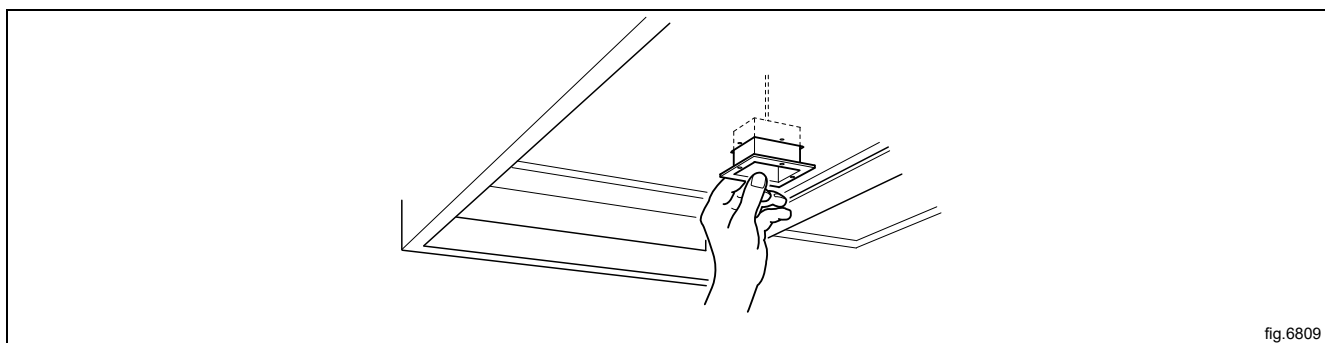


fig.6809

### 4.5.2 Electric

The electric heating unit is installed on the filter unit as described below.

- Insert two screws in the heating unit's two upper fixing holes.

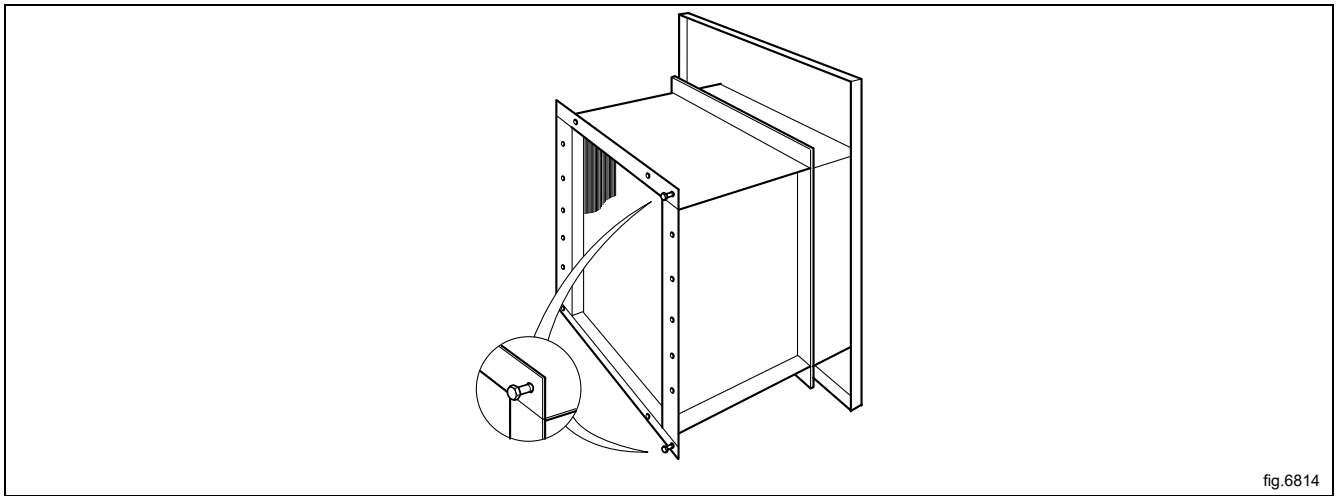


fig.6814

- Lift the unit into position and hang it using the keyhole like holes in the filter unit.

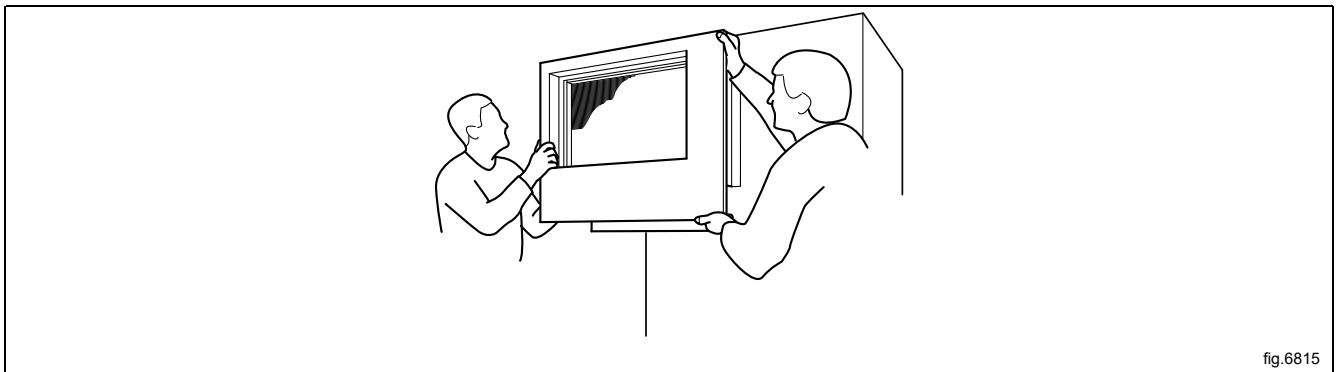


fig.6815

- Screw the heating unit tight against the filter unit from the inner side of the filter housing.

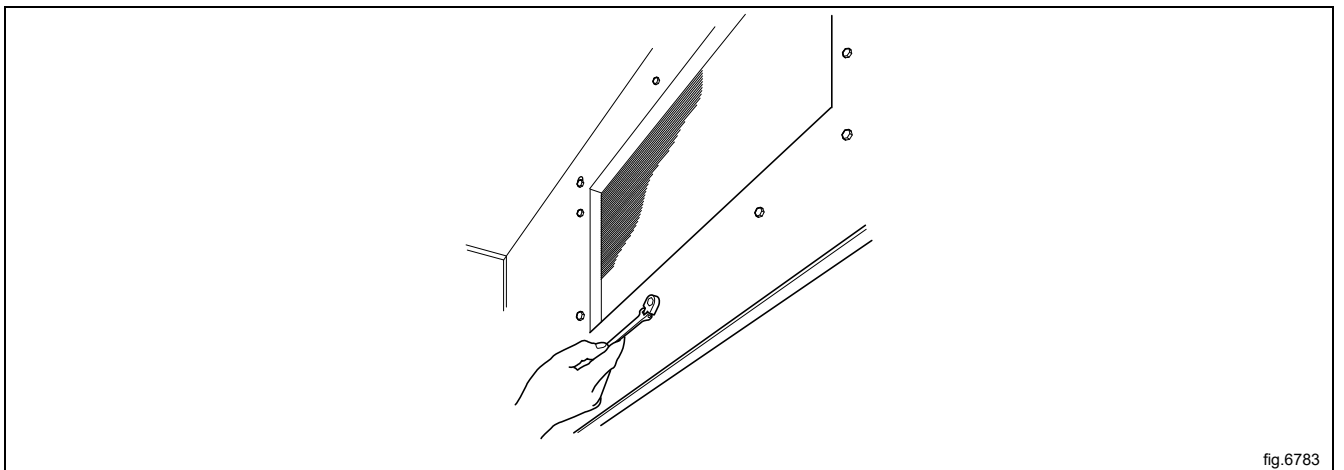
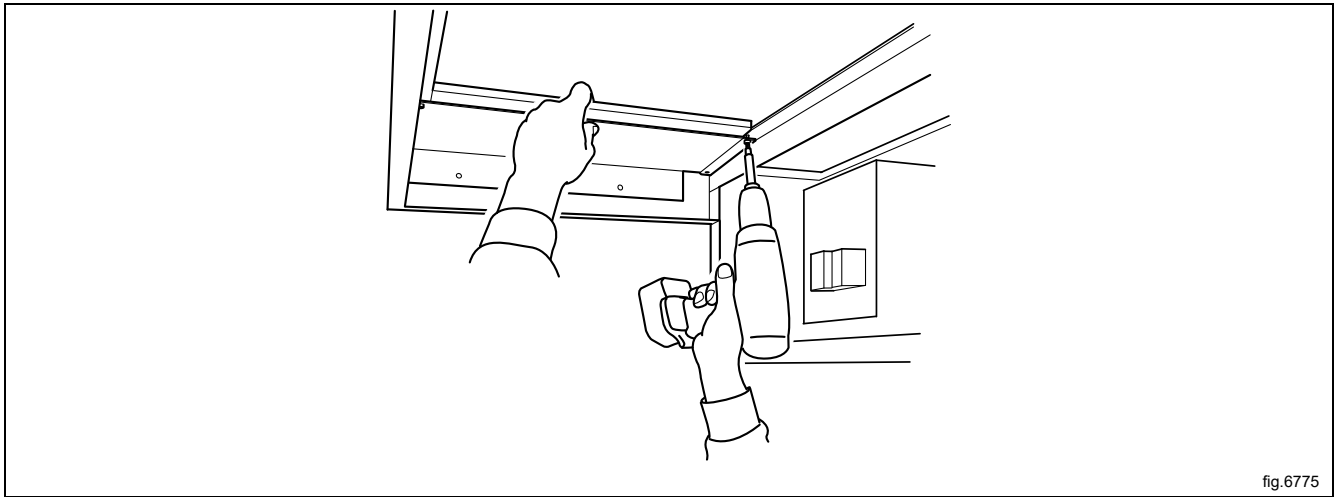
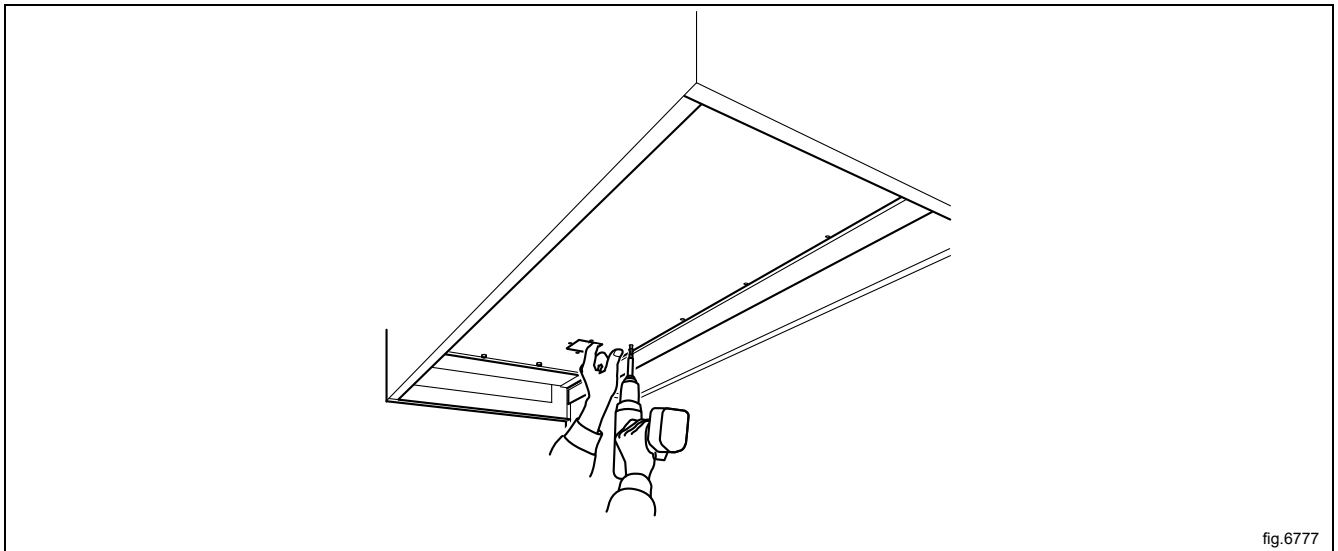


fig.6783

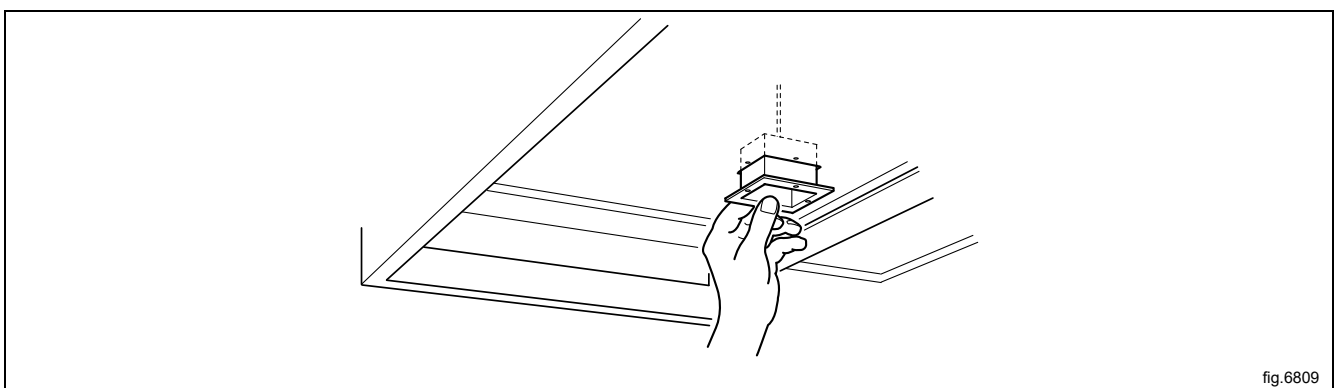
- Install the plate for electrical cables.



- Install the filter housing cover.



- Install the temperature sensor for the filter housing.



### 4.6 Transport safety

During transportation the transmission is locked.

- Remove the transport safety device by cutting the ties (C) and removing the locking board (D).

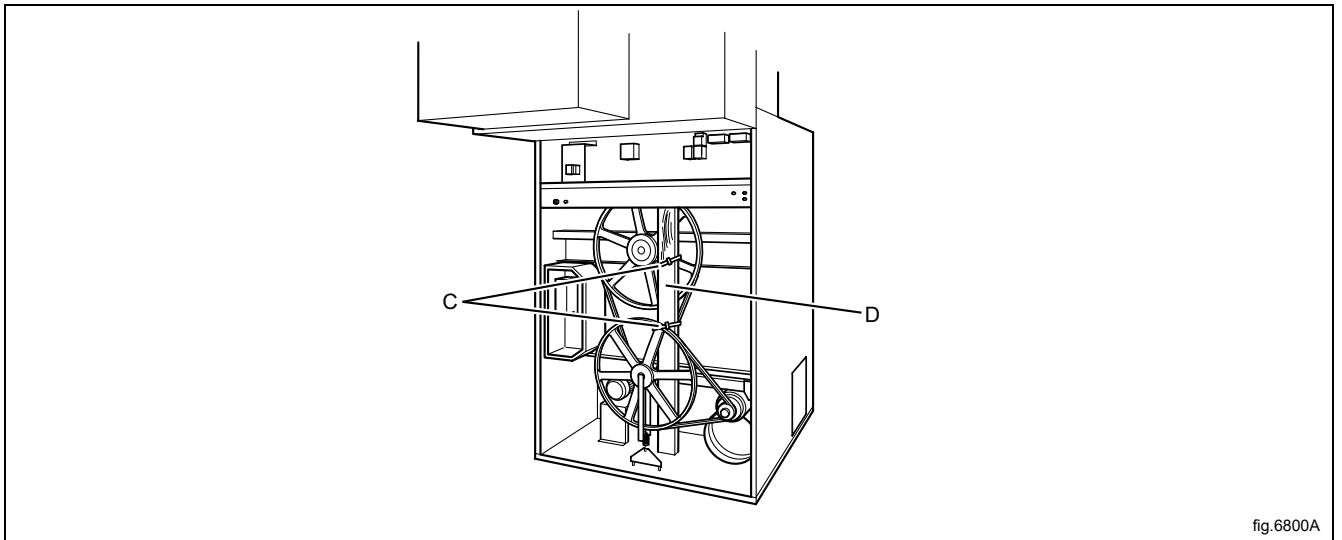


fig.6800A

### 4.7 Internal connections

- Connect the filter chamber's temperature sensor. Pull and secure the cable with ties according to the illustration.

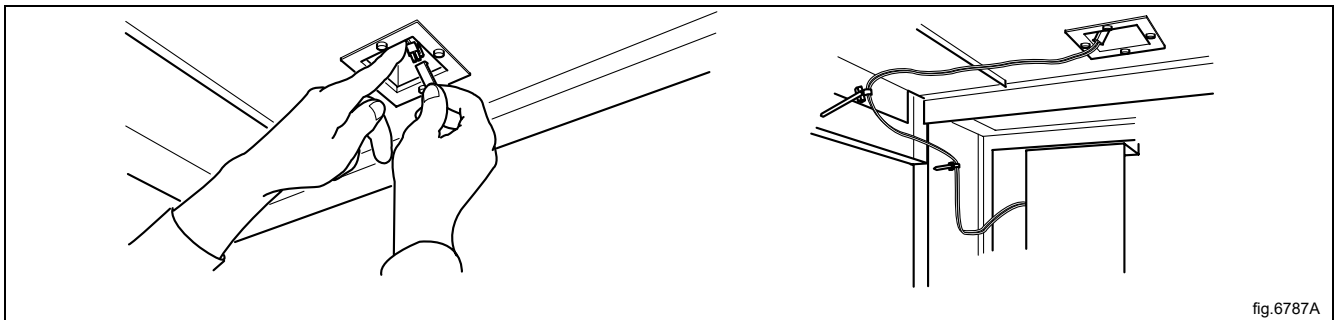


fig.6787A

- Connect 2 pneumatic hoses (marked F and B) for controlling the pressure sensor.

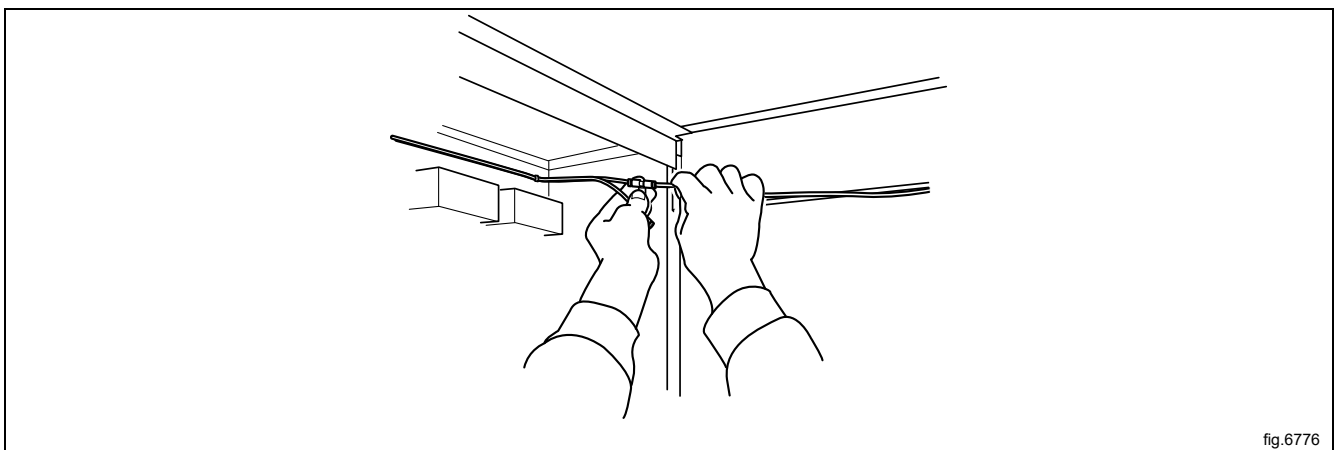


fig.6776

### 4.7.1 Steam-heated machine

- Install the filter chamber cover.

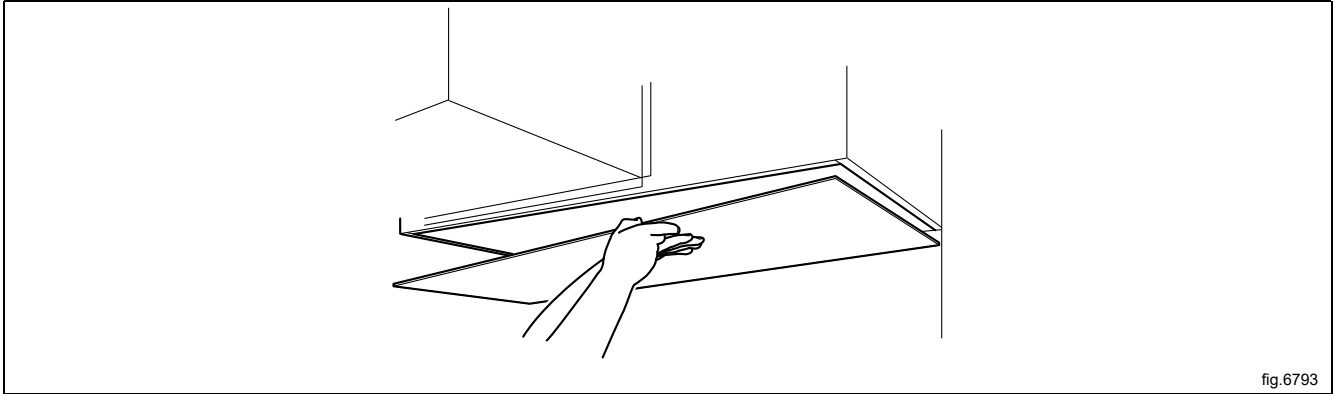


fig.6793

**4.7.2 Electric heated machine**

- Connect the power cable (E) to the earth connection on the filter chamber.

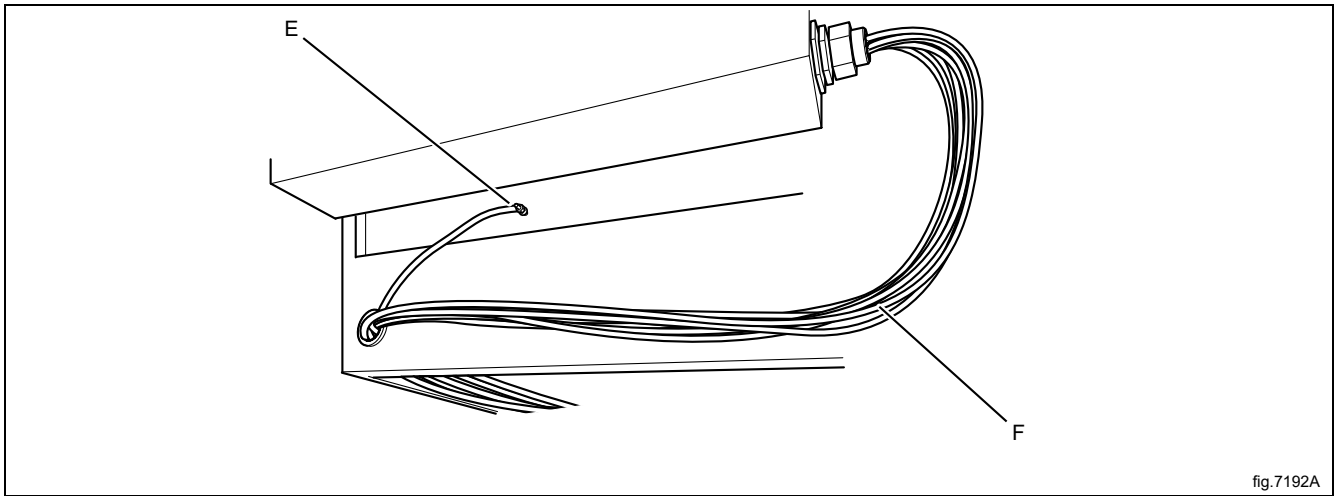


fig.7192A

- Pass the red cable package (F) from the heating module through the filter unit's grommet, through the connection unit and on top of the connection terminal to the contactors (G). Connect the cable package (H) to the contactors (G) on the contactor unit according to the electric schematic.

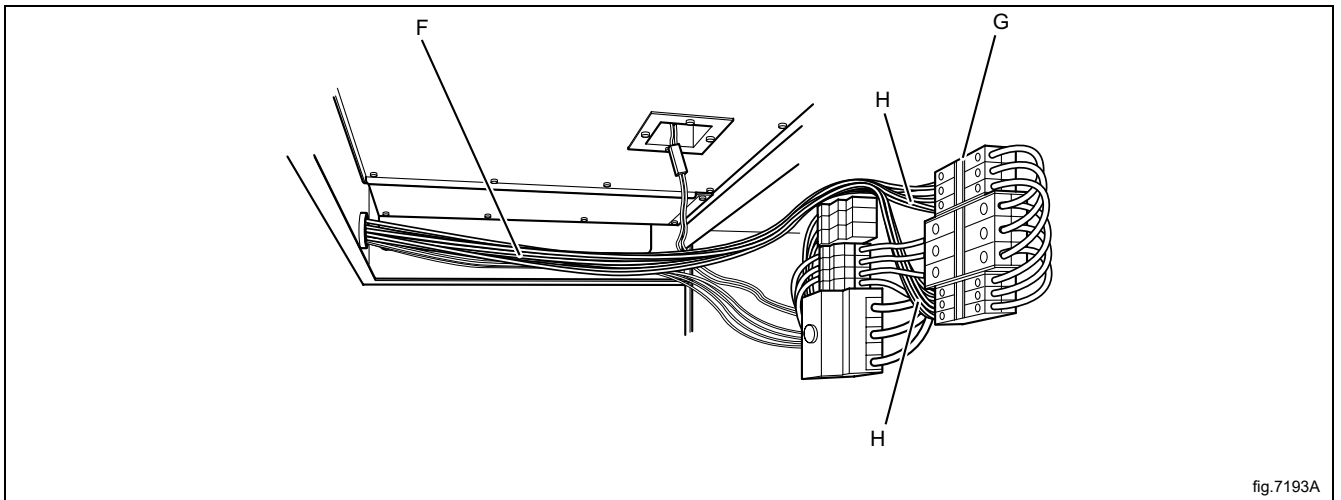


fig.7193A

Tightening torque for contactors:

K3-32A00	2-3 Nm	(Main-T30)
K3-50A00	3-4 Nm	(Main-T30)
	1-1.6 Nm	(Coil-T15)

- Pass the signal cables behind the isolating switch and strap them in the the existing cable trunk in the middle of the connection unit.

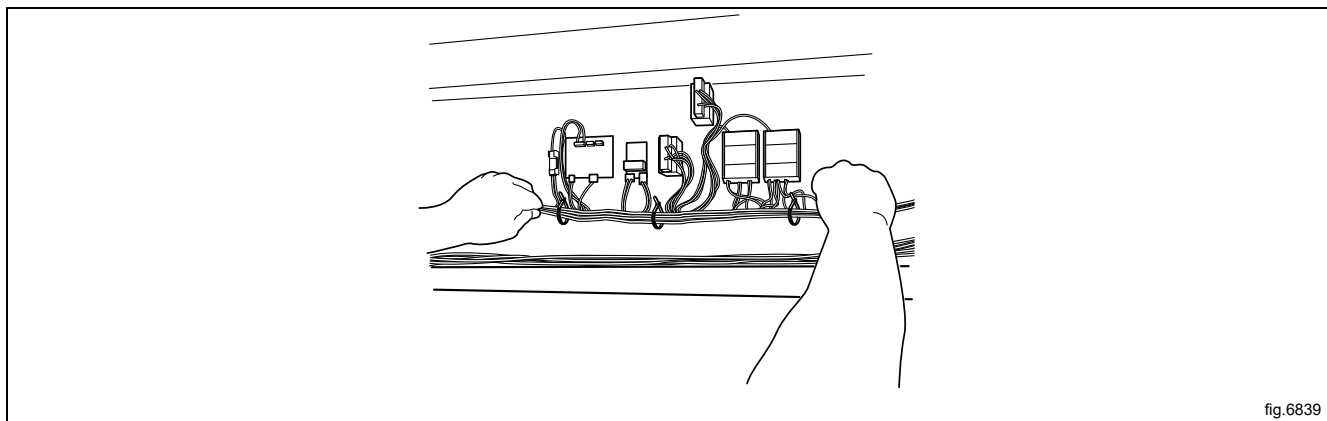


fig.6839

- Connect the signal cables' connecting device to the connecting device at the right-hand edge of the connection unit.

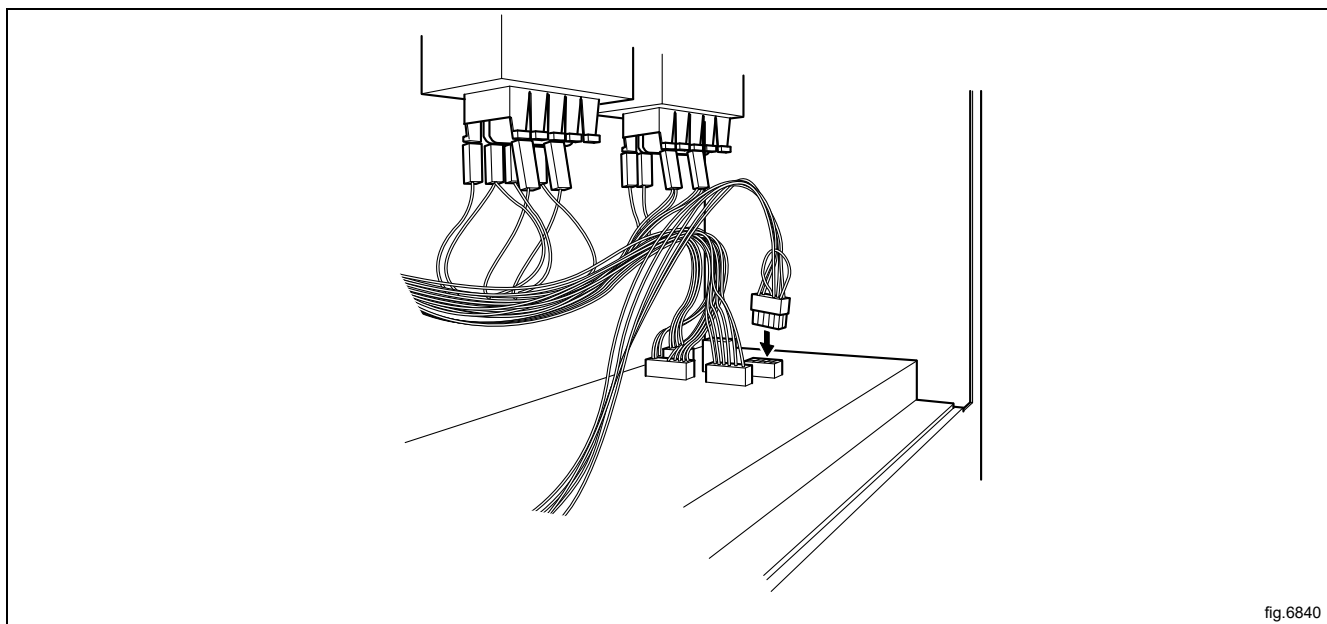


fig.6840

- Strap the power- and signal cables together in the filter unit.

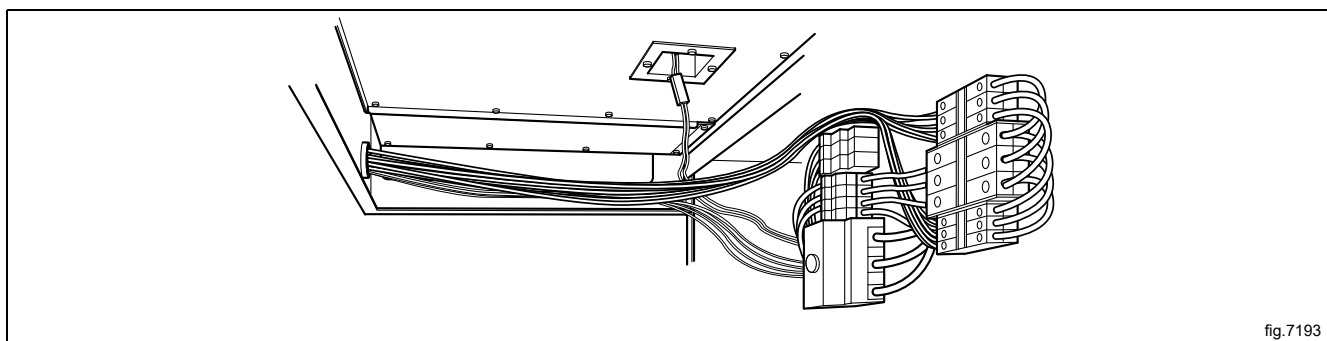


fig.7193

- Install the electric unit's two protective plates.

**Note!**

The outer rear plate of the filter unit must be loosened on the left-hand side. First install protective plate A and thereafter plate B.

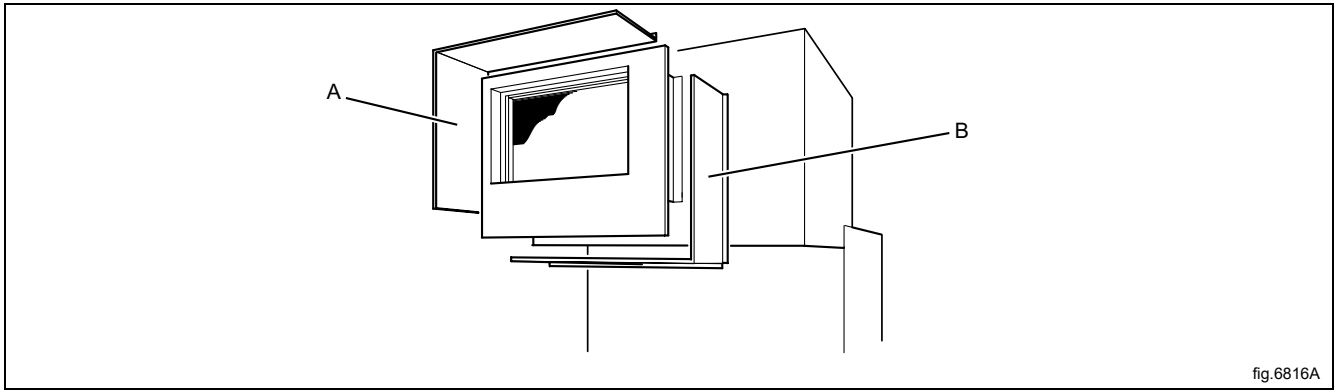


fig.6816A

- Install the filter chamber cover.

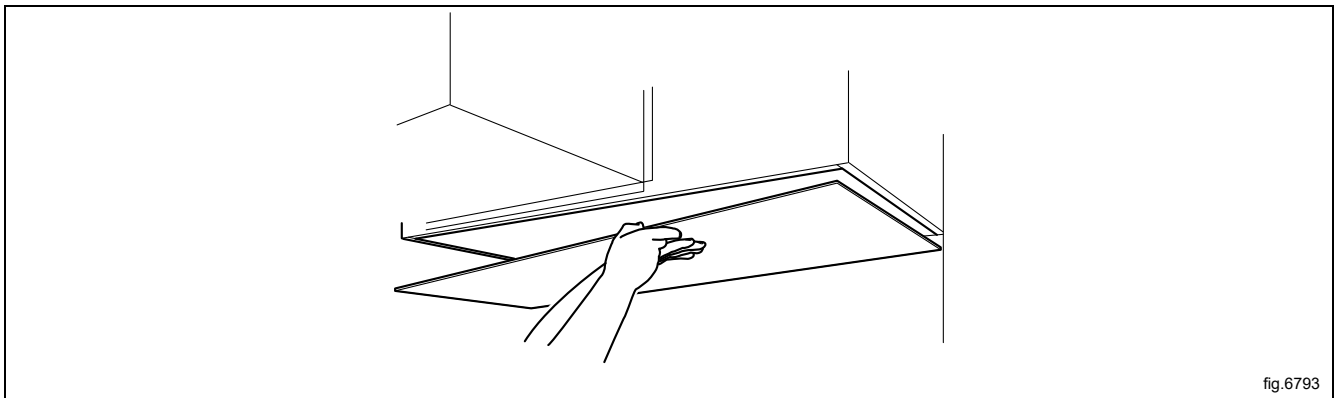


fig.6793

## 4.8 External connections

### 4.8.1 Steam installation (only steam heated machines)

The steam line must be connected to the upper side of the main steam line in order to prevent condensate running down to the tumble dryer.

The branch line must be installed with a slope angle and must terminate higher than the inlet connection.

It is important that the condensate line is installed lower than the outlet connection and maintains a slope angle all the way to the main condensate line.

Install flexible steam hoses between the branch lines and the machine's steam battery (hoses not supplied).

Steam hoses must not hang freely.

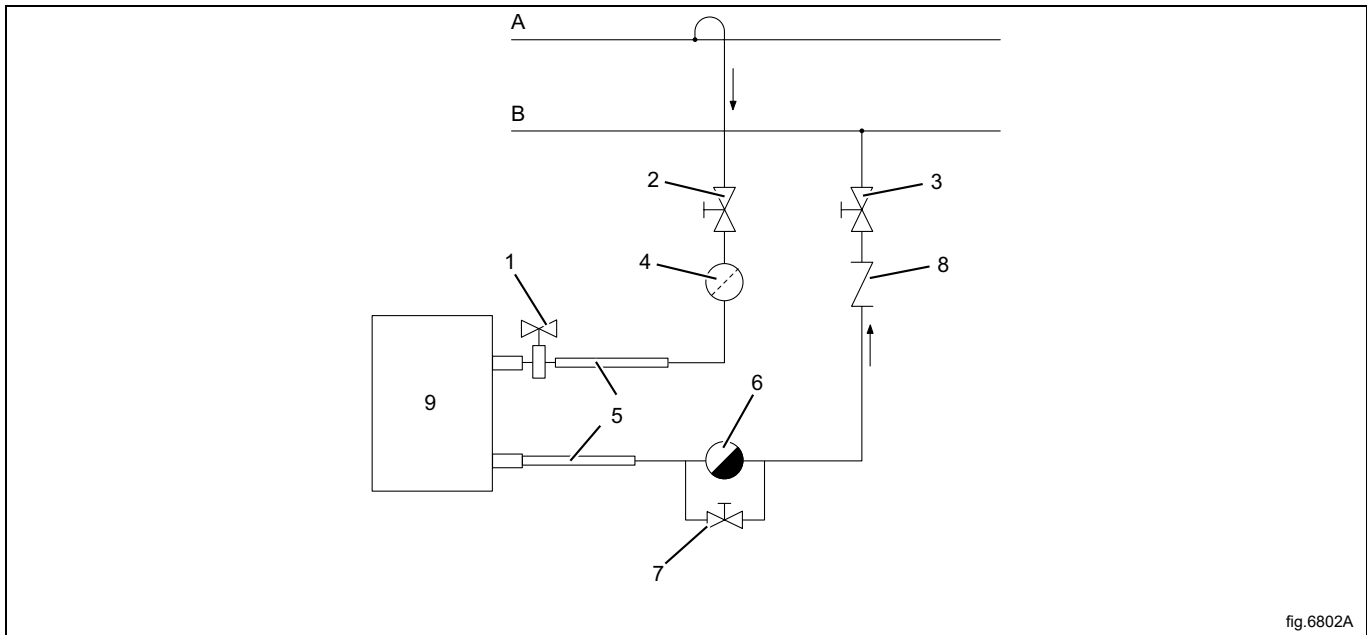


fig.6802A

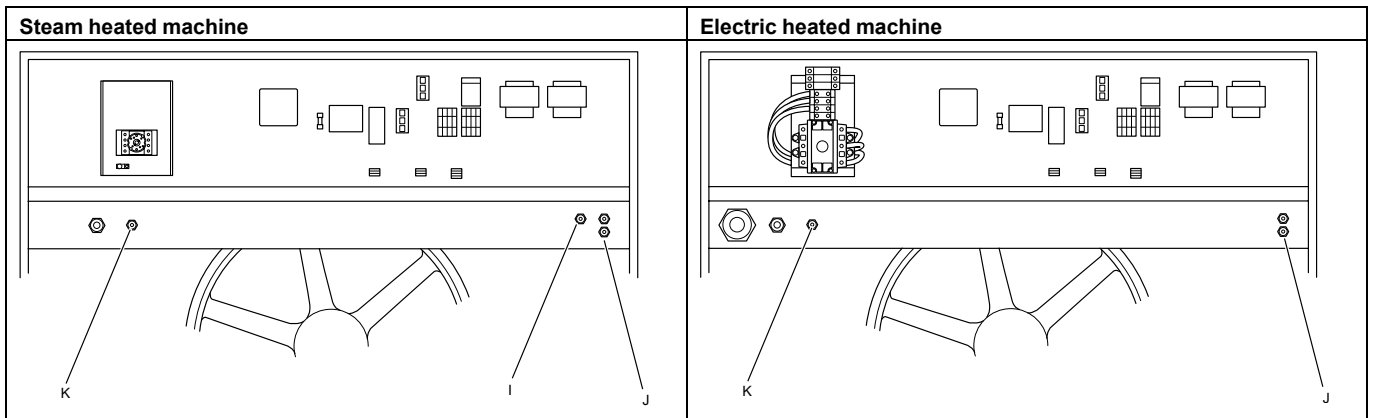
1	Steam valve (enclosed with the machine)
2	Shut-off valve, steam
3	Shut-off valve, condensate
4	Steam filter
5	Flexible steam hoses
6	Steam trap
7	Shut-off valve, steam
8	Non-return valve
9	Steam unit
A	Steam
B	Condensate

### 4.8.2 Pipe insulation

All pipes must be insulated to minimise the risk of burns. The insulation also reduces heat loss to the surroundings.

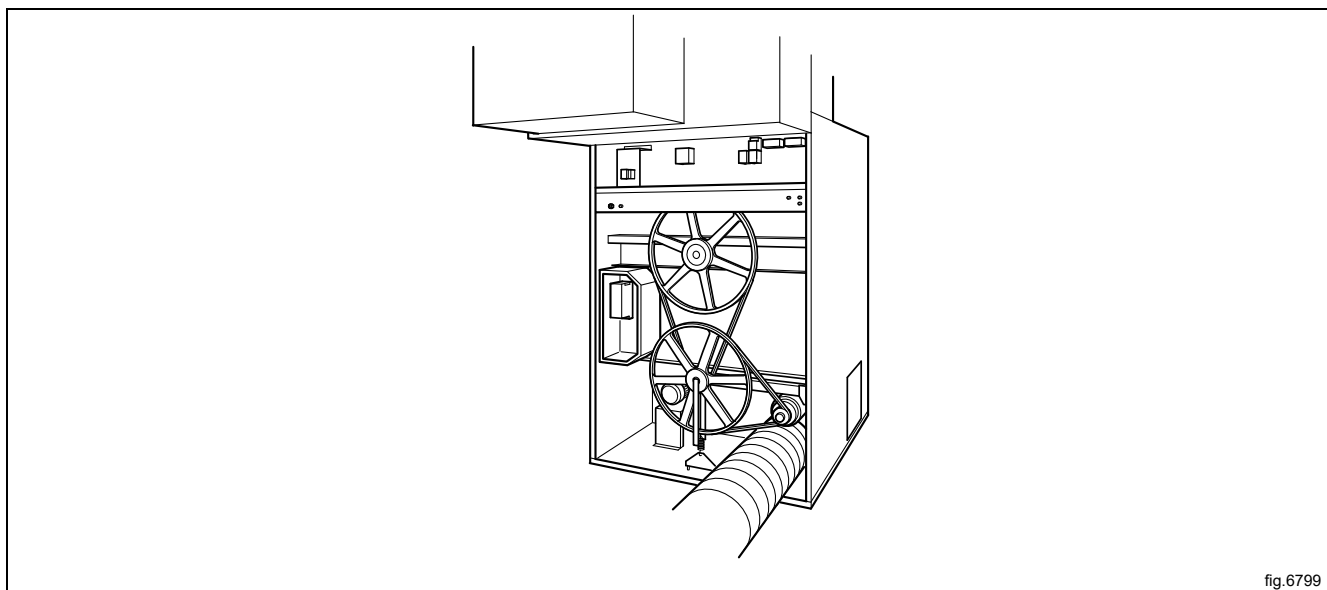
### 4.8.3 Compressed air connection

- Connect the pneumatic hose for steam valve (I) (steam-heated machine only).
- Ensure that the two unused holes are properly plugged (J).
- Connect compressed air to the machine (K).

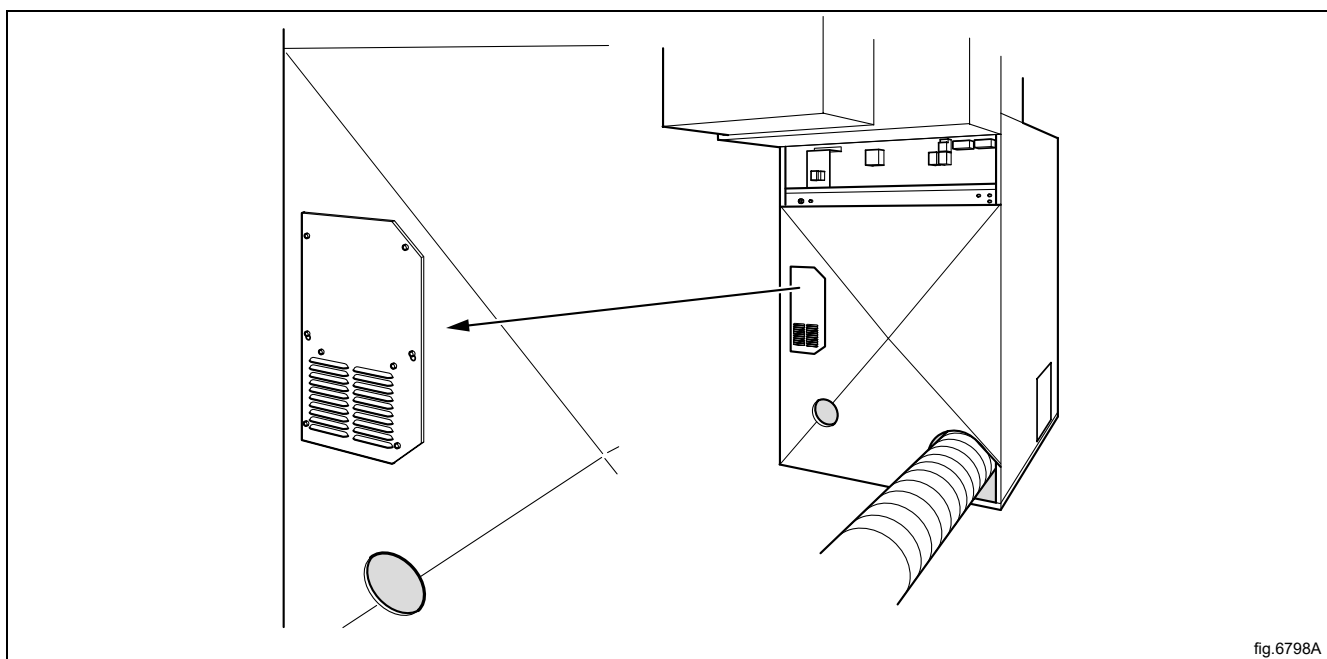


#### 4.8.4 Evacuation

- Connect evacuation pipe to the machine.  
For schematic diagram and guidelines for designing the evacuation system please refer to the section "Evacuation system".



- Install the lower rear plate.



- Install the cover plate over the motor control unit.

## 5 Electrical installation



The electrical installation may only be carried out by qualified personnel.



Machines with frequency-controlled motors can be incompatible with certain types of earth leakage circuit breaker. It is important to know that the machines are designed to provide a high level of personal safety, which is why items of external equipment such as earth leakage circuit breakers are not necessary but is recommended. If you still want to connect your machine across an earth leakage circuit breaker, please remember the following:

- contact a skilled, authorised installation company to ensure that the appropriate type of breaker is chosen and that the dimensioning is correct
- for maximum reliability, connect only one machine per earth leakage circuit breaker
- it is important that the earth wire is properly connected.



In instances where the machine is not equipped with an omni-polar switch, one must be installed beforehand.

In accordance with the wiring rules: mount a multi-pole switch prior to the machine to facilitate installation and service operations.

The connecting cable shall hang in a gentle curve.

## 5.1 Electrical connections

### 5.1.1 T4900CR

Heating alternative	Main voltage	Hz	Heating power kW	Total power kW	Recommended fuse A
Steam heated machines	200/230/240V 3 ~	50/60	*	3.7	20
	400/415V 3 ~	50	*	3.7	16
	400/415/440/480V 3 ~	60	*	3.7	16
Electric heated machines	400/415V 3 ~	50	60	63	100
	400/415/440/480V 3 ~	60	60	63	100

\* Total power and recommended fuse does not depend on the heating power in those cases.

### 5.1.2 T41200CR

Heating alternative	Main voltage	Hz	Heating power kW	Total power kW	Recommended fuse A
Steam heated machines	200/230/240V 3 ~	50/60	*	3.7	20
	400/415V 3 ~	50	*	3.7	16
	400/415/440/480V 3 ~	60	*	3.7	16
Electric heated machines	400/415V 3 ~	50	72	75	125
	400/415/440/480V 3 ~	60	72	75	125

\* Total power and recommended fuse does not depend on the heating power in those cases.

## 5.2 Steam heated machine

### 5.2.1 Connection to mains voltage

- Pull the mains cable through the grommet to the isolating switch.

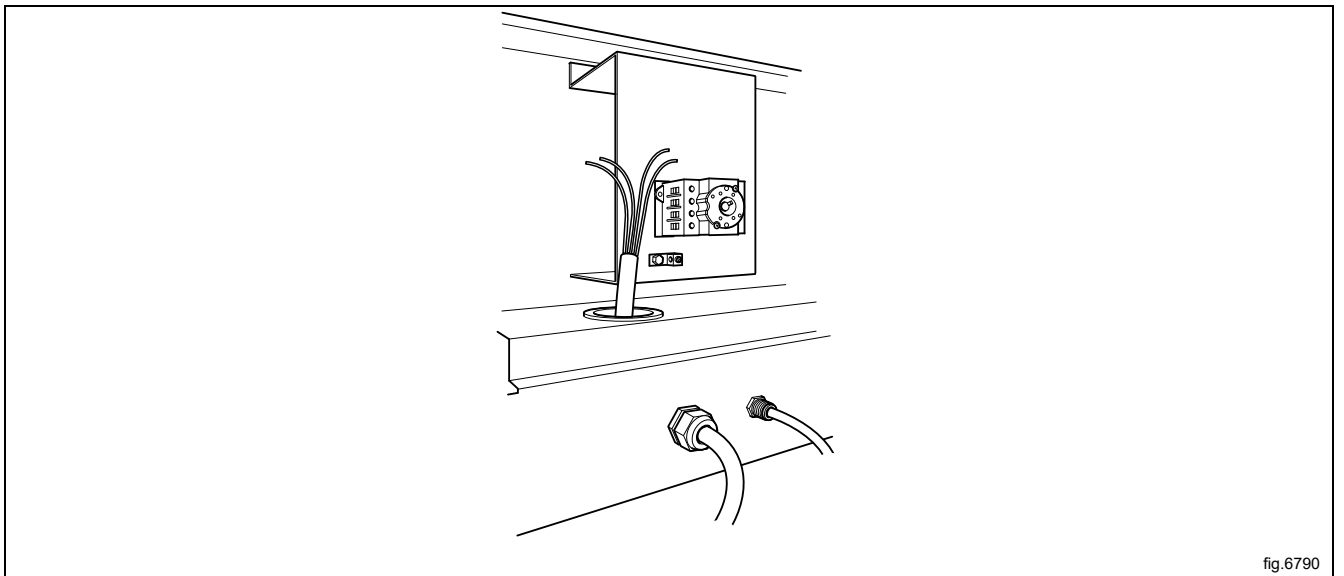


fig.6790

- Connect the mains cable. If there is a neutral conductor this must be connected to terminal N (A). Connect the earth (B).

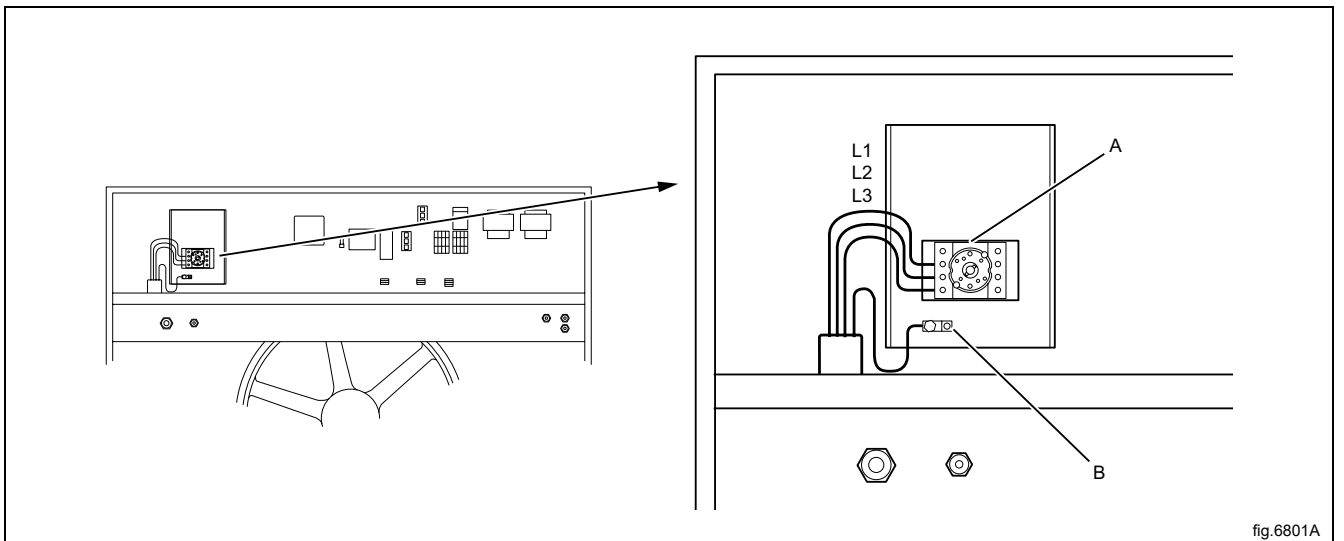


fig.6801A

- Hold the rear upper plate against the connection unit and connect the cooling fan.

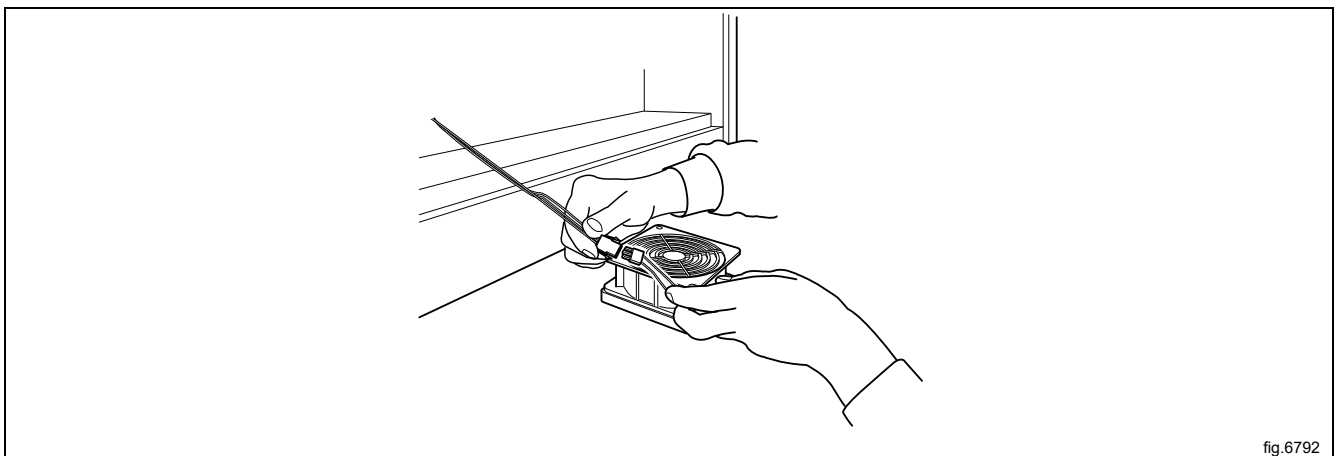


fig.6792

- Install the rear upper plate.

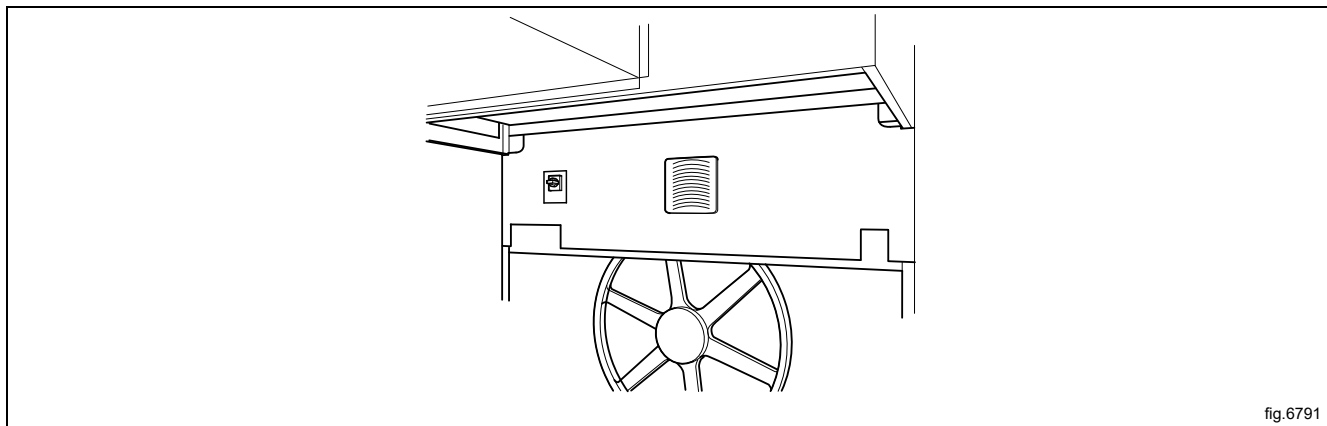


fig.6791

### 5.2.2 Circuit diagram

The circuit diagram for the tumble dryer is located on the left-hand side of the control unit (C).

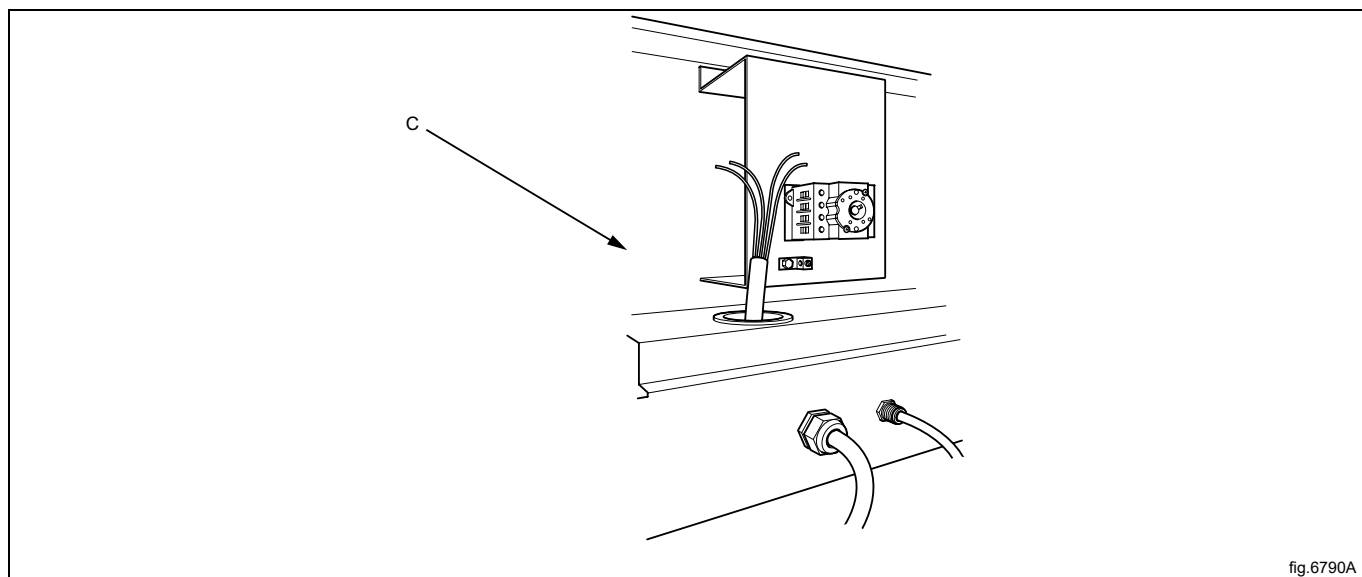


fig.6790A

### 5.3 Electric heated machine

#### 5.3.1 Connection to mains voltage

- Pull the mains cable through the grommet to the isolating switch.

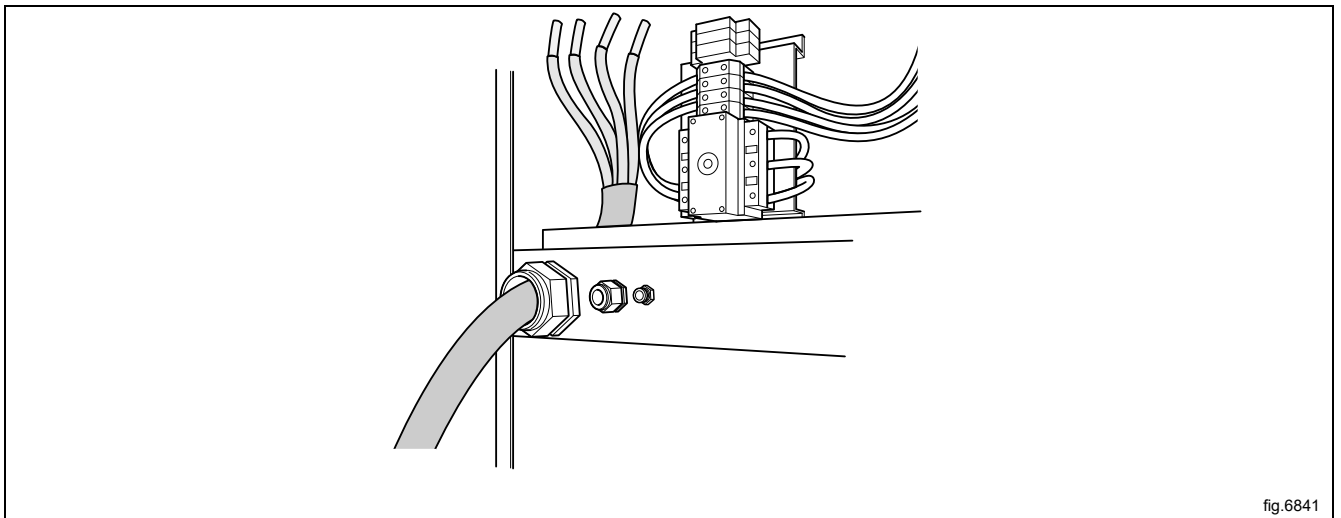


fig.6841

- Connect the mains cable.  
Connect the earth (B).

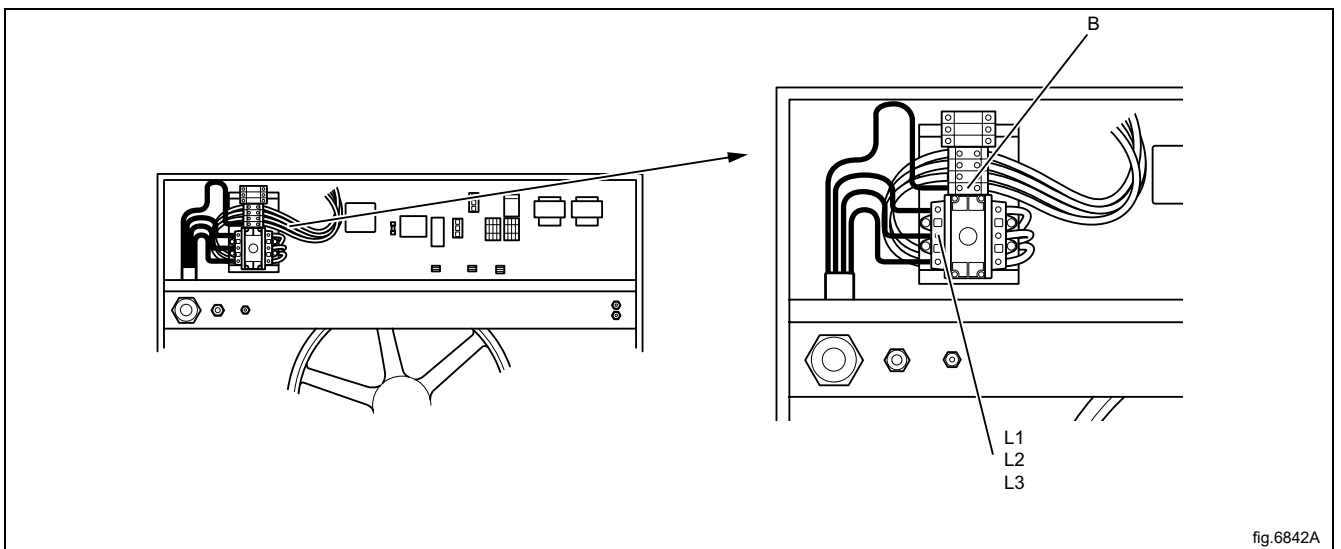


fig.6842A

- Hold the rear upper plate against the connection unit and connect the cooling fan.

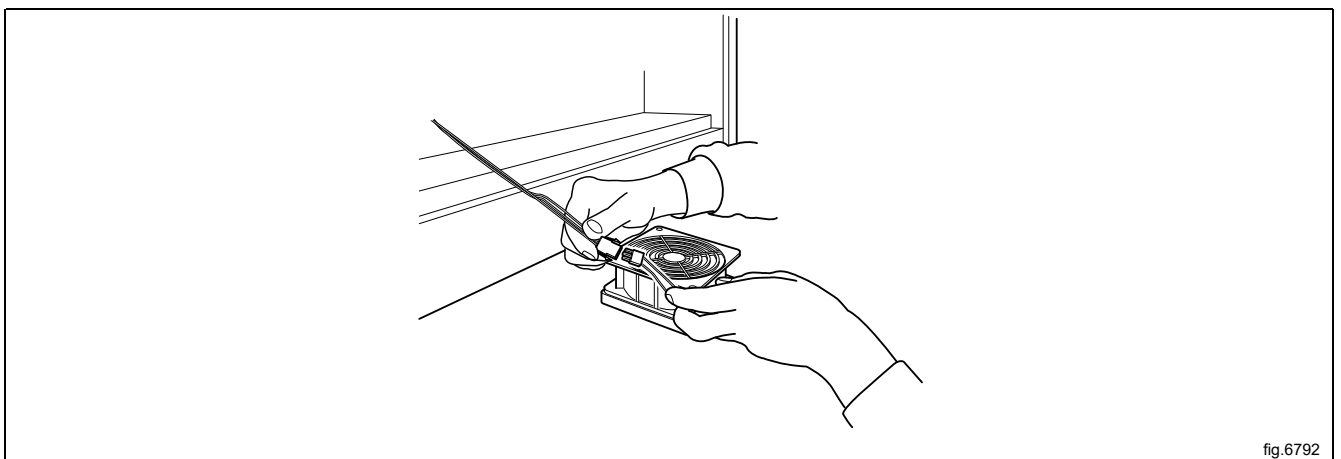


fig.6792

- Install the rear upper plate.

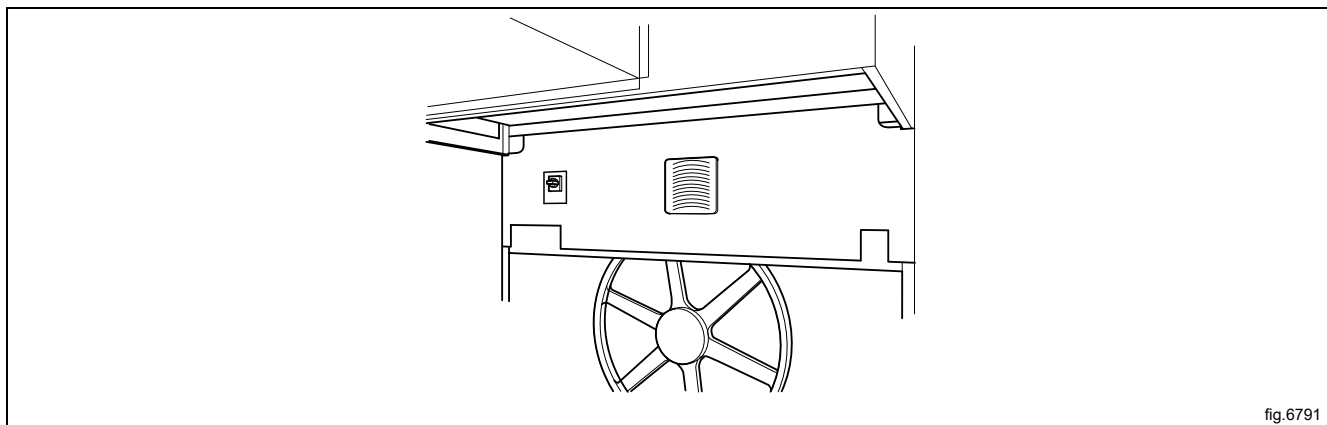


fig.6791

### 5.3.2 Circuit diagram

The circuit diagram for the tumble dryer is located on the left-hand side of the control unit (C).

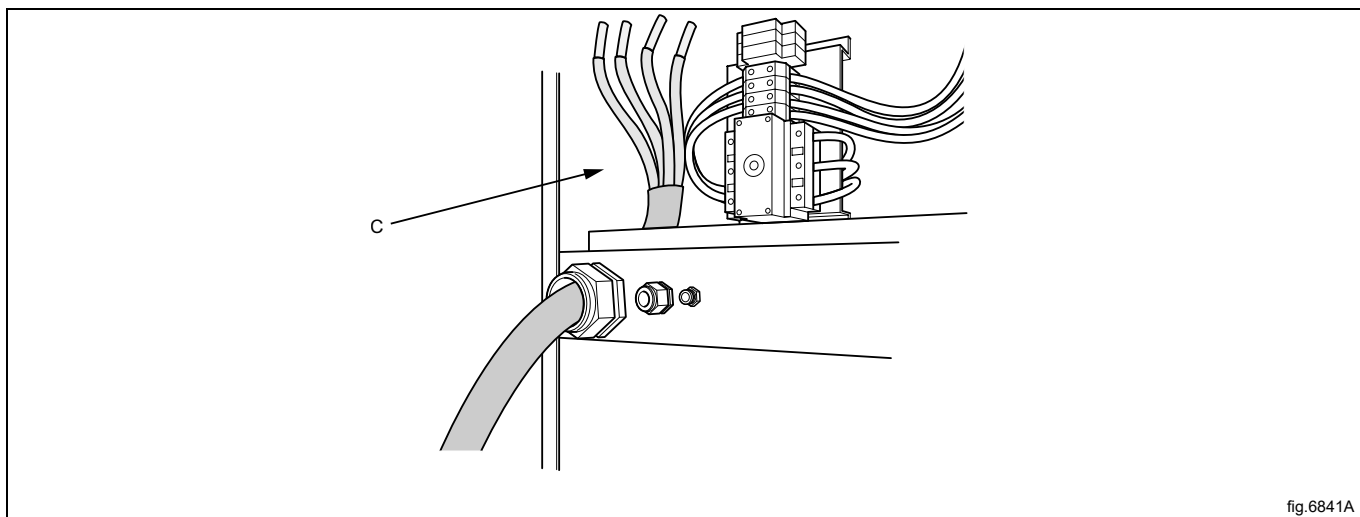


fig.6841A

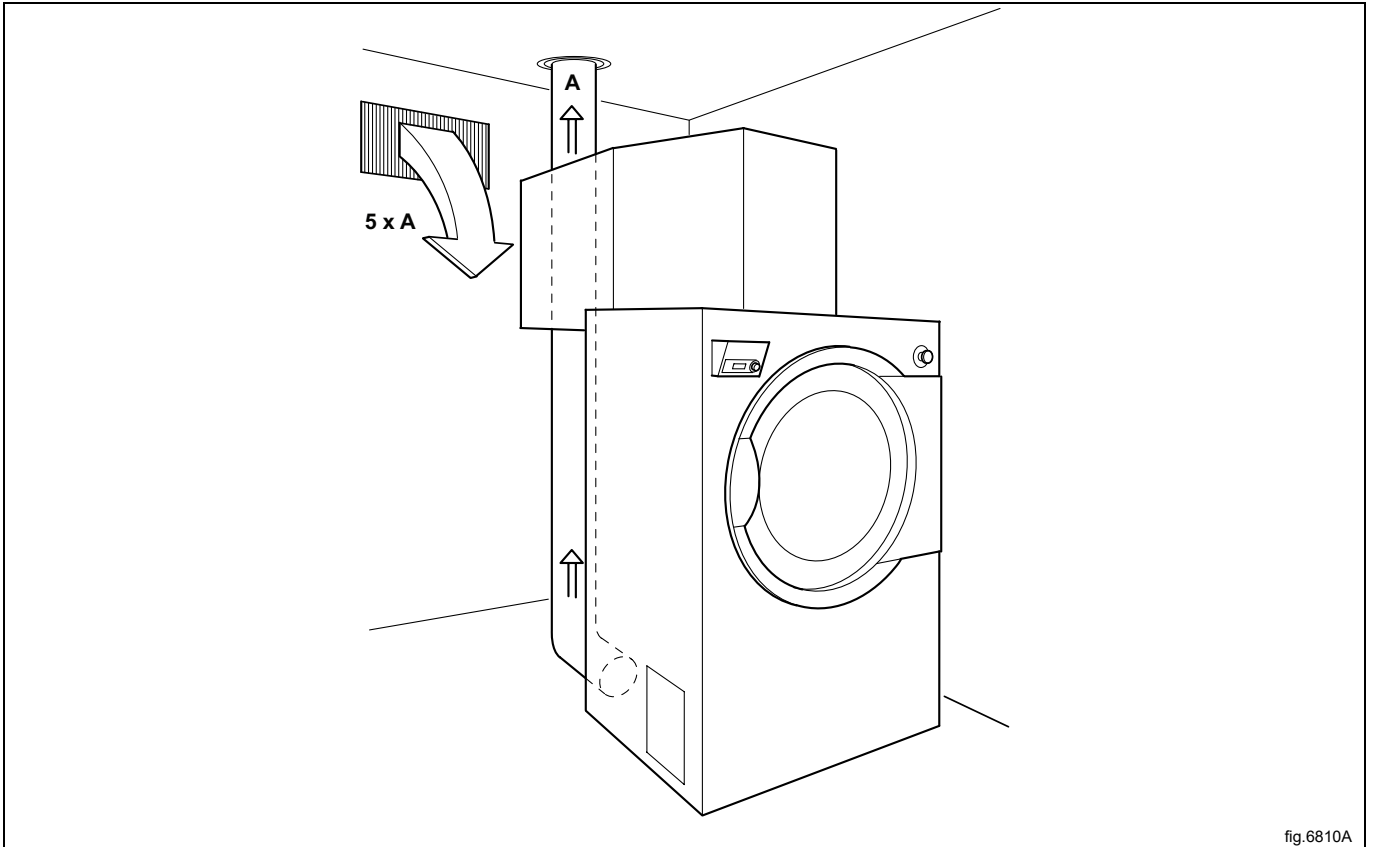
## 6 Evacuation system

### 6.1 Fresh air

For maximum efficiency and the shortest possible drying time, it is important to ensure that fresh air is able to enter the room from the outside in the same volume as that is blown out of the room.

To avoid draught in the room it is important to place the air inlet behind the machine.

The area of the air inlet opening is recommended to be five times the size of the exhaust pipe area. The area of the inlet opening is the area through which the air can flow without resistance from the grating/slatted cover.



The air consumption is:

T4900CR: 2300 m<sup>3</sup>/h.

T41200CR: 2500 m<sup>3</sup>/h.

The resistance in the grating/slats on the air inlet cover plate should not exceed 10 Pa (0.1 mbar).

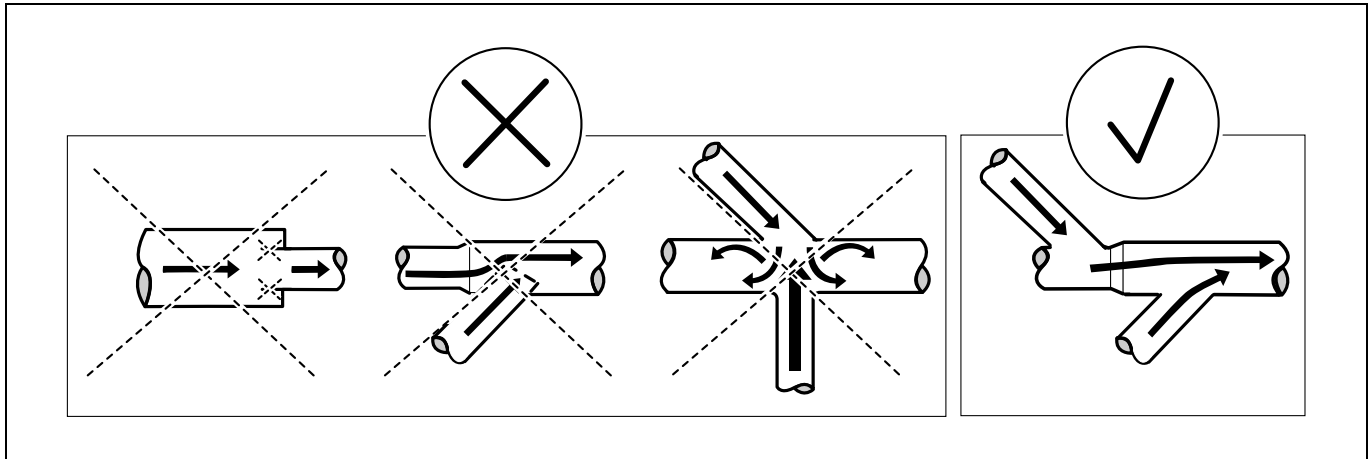
#### **Note!**

**Gratings/slatted covers often block half of the total fresh air vent area. Remember to take this into account.**

Pre-filter to the tumble dryer's air intake is recommended.

## 6.2 Exhaust duct

- Only rigid or flexible metal duct should be used for exhausting.
- Plastic ducting is not to be used.
- Recommended material for exhaust is galvanized steel.
- The duct is not to be assembled with screws or other fastening means that extend into the duct and catch lint.
- The exhaust air should not be vented into a wall, a ceiling, or a concealed space of building.
- The exhaust duct must lead clear of the building as condensation may cause frost damage to the building.
- The exhaust duct must lead to the outdoors.
- The exhaust duct must be placed in such a way that it is protected on the outside.
- The exhaust duct must be smooth on the inside (low air resistance).
- The exhaust duct must have gentle bends.



## 6.3 Shared exhaust duct



It is recommended that each machine is connected to a separate exhaust duct.

When several machines shall use the same exhaust duct the exhaust duct must increase after each machine. The recommended diameter increase progression is the one in the table. Please consider that unnecessarily large ducts create issues with the draught.

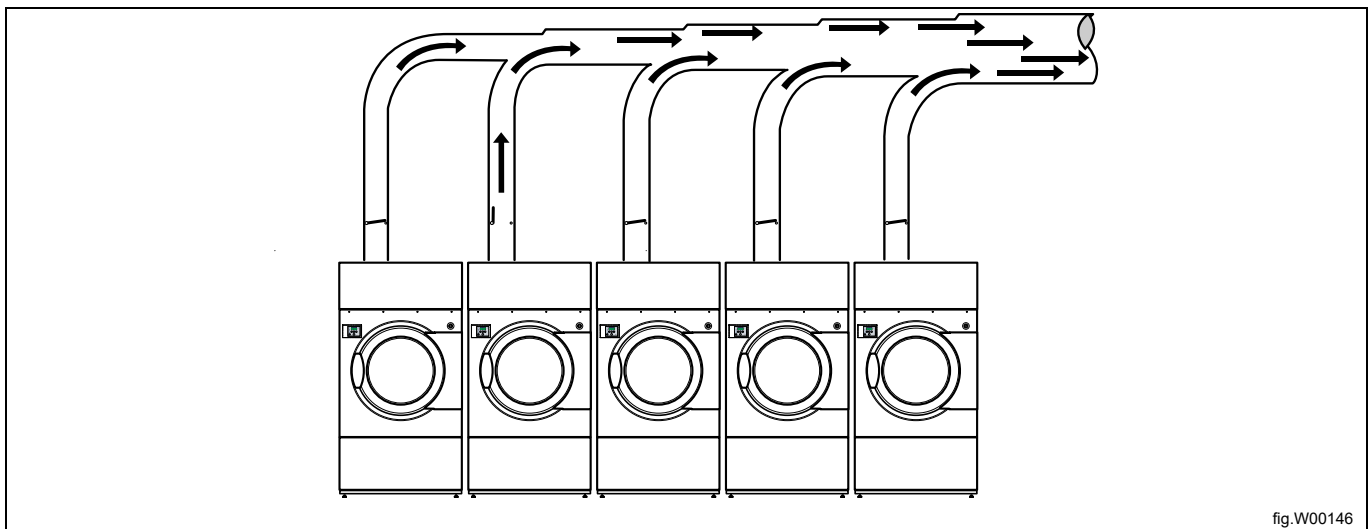


fig.W00146

Number of machines		1	2	3	4	5	6	7	8
Evacuation pipe's	∅ mm	315	450	560	630	710	800	800	900
Surface required for fresh air intake	m <sup>2</sup>	0.4	0.8	1.2	1.6	2.0	2.4	2.8	3.2



The exhaust duct diameter must not be reduced.

### 6.4 Exhaust dimensioning

It is important that the machine has correct air volume compared to each machines power.

If the air flow is smaller or larger this will result in a longer drying period.

If the outlet pipe is long or the ventilation is not properly designed we recommend to clean the outlet pipes periodically. Usually, longer ducts need more frequent cleaning.

The exhaust pipes shall be short in order for the machine to work in the best way.

All cover panels must be mounted in order for the machine to work in the best way.

## 7 Function check



May only be carried out by qualified personnel.



A function check must be made when the installation is finished and before the machine can be ready to be used. Whenever a repair has been made, a function check must be performed before the machine can be used again.

### Inspection of the door's solenoid switch

Start the machine.

- The machine must stop if the door is opened.

### Inspection of the heater unit

- Let the machine work for five minutes on a program with heat.
- Check that the heating is working by opening the door and feel if there is heat in the drum.

### Leak detection

- System leak detection.
- Clean the dirt traps.

### Particle testing

Before performing particle testing make sure the machine has been in operation for approx 15 hours.

### Ready to use

If all tests are OK the machine is now ready to be used.

If some of the tests failed, or deficiencies or errors are detected, please contact your local service organisation or dealer.

The installer shall instruct the user on the operation of the appliance before leaving.

## 8 Disposal information

### 8.1 Appliance recyclability and disposal

#### 8.1.1 Recyclability

Our appliances are manufactured using a significant percentage of recyclable metals (such as stainless steel, iron, aluminium, galvanized sheet, copper, etc.), which can be recovered through the local recycling systems, in compliance with the regulations in force in the country of use.

National regulations regarding waste disposal may vary. Disposal of the appliance must therefore be carried out in accordance with the applicable legislation and the directives issued by the competent authorities in the country where the appliance is decommissioned.

The components of the appliance must be separated and disposed of in accordance with their material composition (e.g. metals, oils, greases, plastics, rubber, refrigerant gases, insulating boards and other insulating material, glass wool, LEDs, etc.) and in full compliance with applicable local and international waste management regulations.

Compressors may contain oils and refrigerants fluids - are special waste and has to be recycled on local bases regulations.

#### 8.1.2 Procedure regarding appliance disposal and component / material recovery

This product should not simply be disposed of in the environment at the end of its life cycle; it is imperative instead either to dispose of it in accordance with local environmental regulations, or, preferably, to deliver it whole to an authorized recycling center.

All removed components, including doors and other structural parts, must be delivered together with the appliance to an authorized recycling or dismantling facility.

The dismantling/recycling center will apply state of the art technologies and methods available to them to effectively disassemble the products for best recyclability.

Note that printed circuit boards, electrical motors or other components identified in European Union legislation to be of high critical raw materials recovery potential need to be addressed specifically.

In case of doubts or questions, always refer to your reference customer care service.

Before disposing of the appliance, carefully inspect its physical condition and preservation state, checking for potential leaks of liquids or gases, as well as for broken parts that may pose hazards during handling and subsequent dismantling.



The symbol on the product indicates that this product should not be treated as domestic waste, but must be correctly disposed of in order to prevent any negative consequences for the environment and human health. For further information on the recycling of this product, contact the local dealer or agent, the customer care service or the local body responsible for waste disposal.




#### Note!

**When dismantling the appliance, any marking, this manual and other documents concerning the appliance must be destroyed.**

### 8.2 Disposal of packing

The packing must be disposed of in compliance with the current regulations in the country where the appliance is used. All the packing materials are environmentally friendly.

They can be safely kept, recycled or burned in an appropriate waste incineration plant. Recyclable plastic parts are marked as following examples.

	Polyethylene: <ul style="list-style-type: none"> <li>• Outer wrapping</li> <li>• Instructions bag</li> </ul>
	Polypropylene: <ul style="list-style-type: none"> <li>• Straps</li> </ul>
	Polystyrene foam: <ul style="list-style-type: none"> <li>• Corner protectors</li> </ul>







Electrolux Professional AB  
341 80 Ljungby, Sweden  
[www.electroluxprofessional.com](http://www.electroluxprofessional.com)